

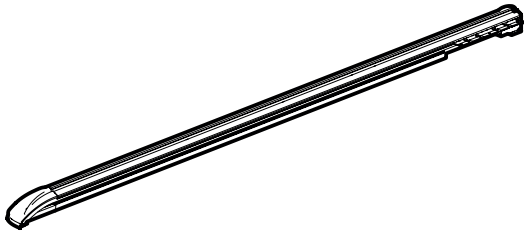
MOUNTAIN TOP[®] ROLL COVER

Installation manual



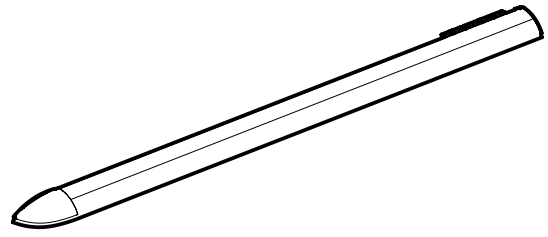
Parts

A



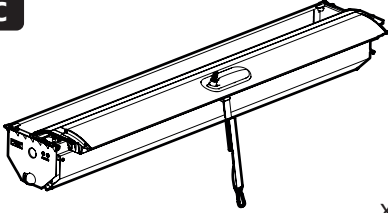
x 1

B



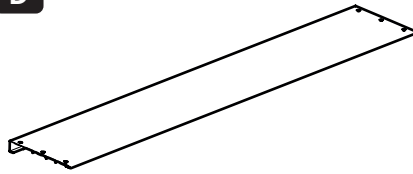
x 1

C



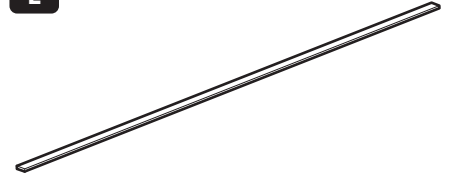
x 1

D



x 1

E

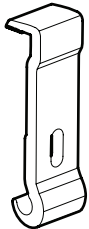


x 1



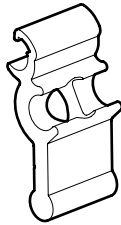
Kit

F



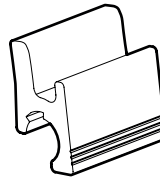
x 6

G



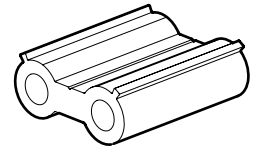
x 6

H



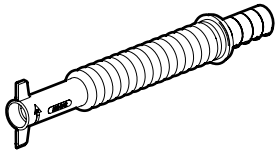
x 6

H2



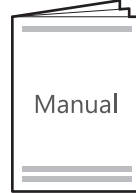
x 6

I



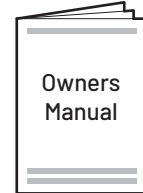
x 2

J



x 1

K

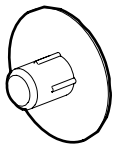


x 1



Kit

L



x 24

M



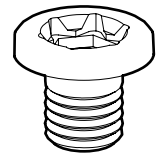
x 6

N



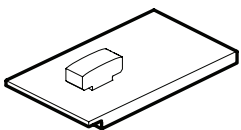
x 6

O



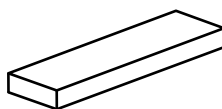
x 6

P



x 2

P2



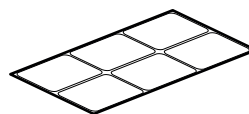
x 2

Q



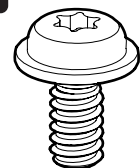
x 2

R

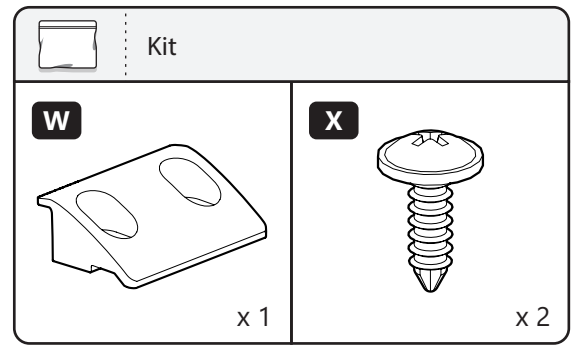
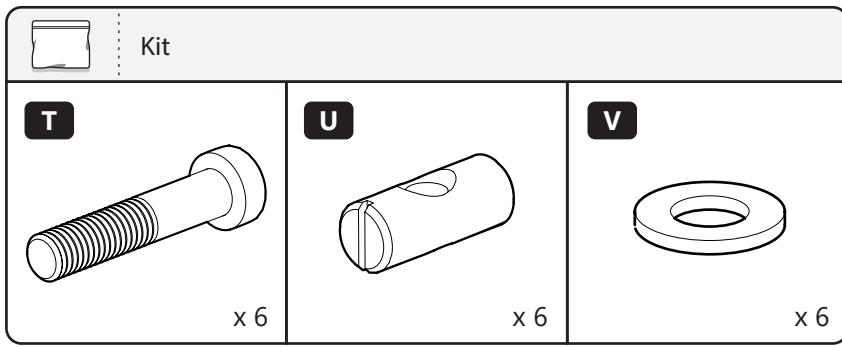


x 1

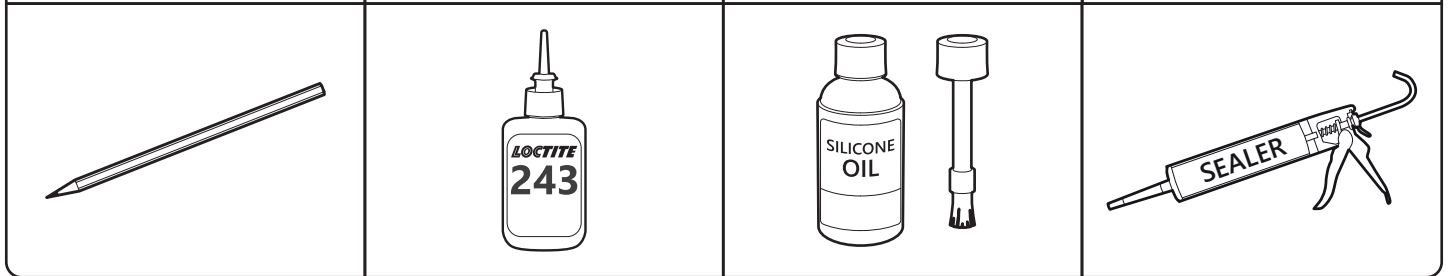
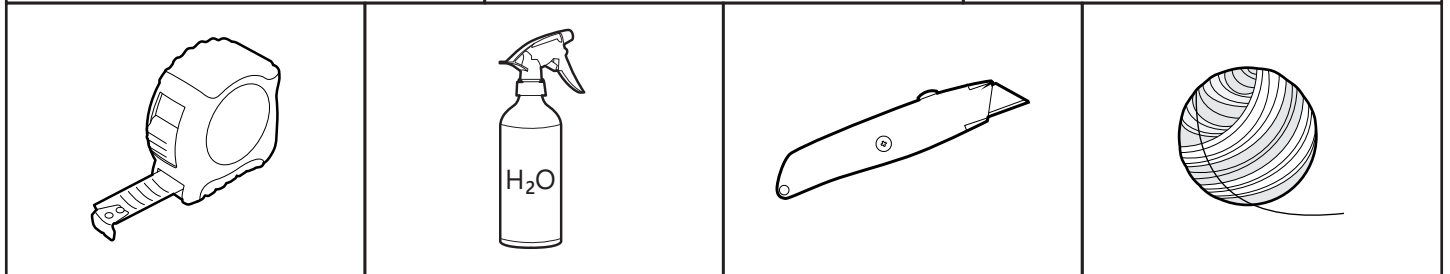
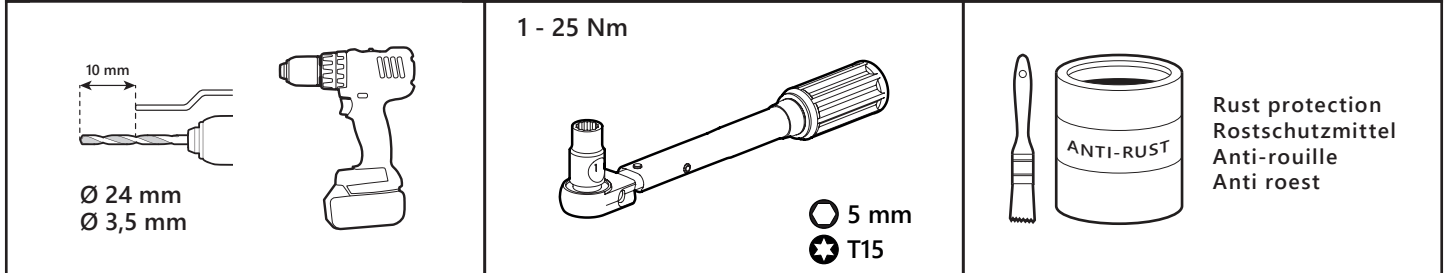
S



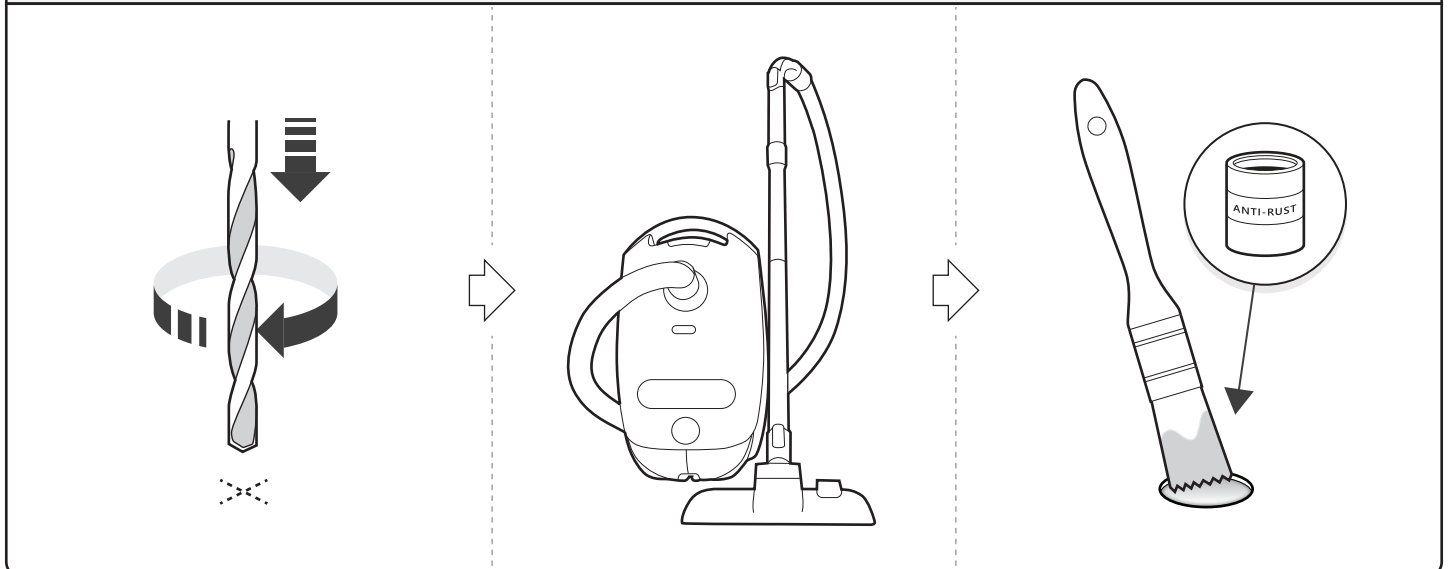
x 4

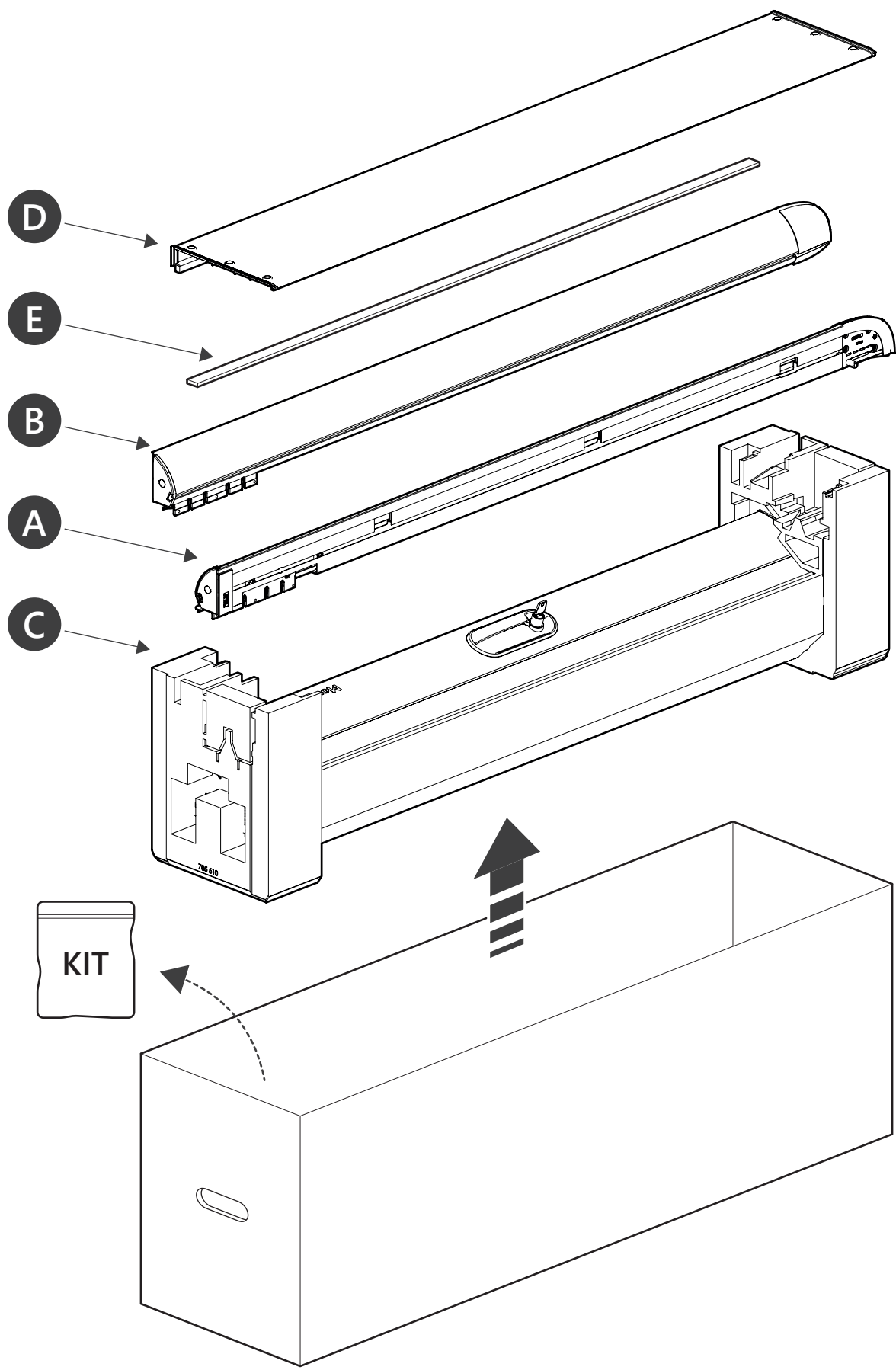


Tools and materials needed

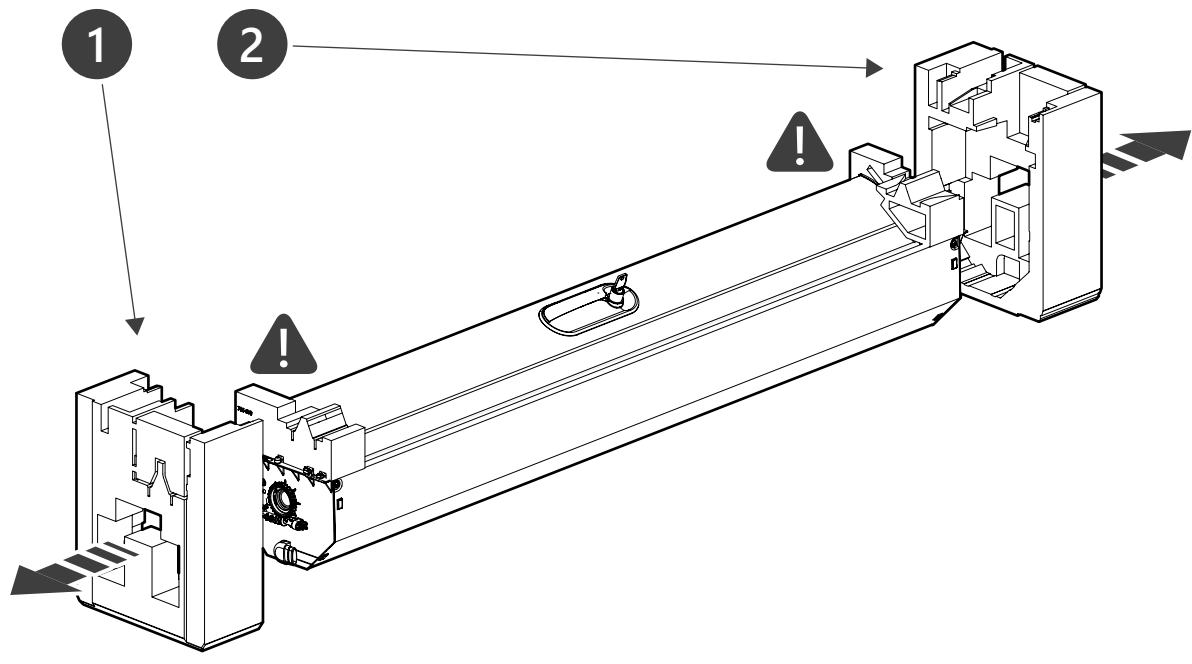


1 Applying rust protection

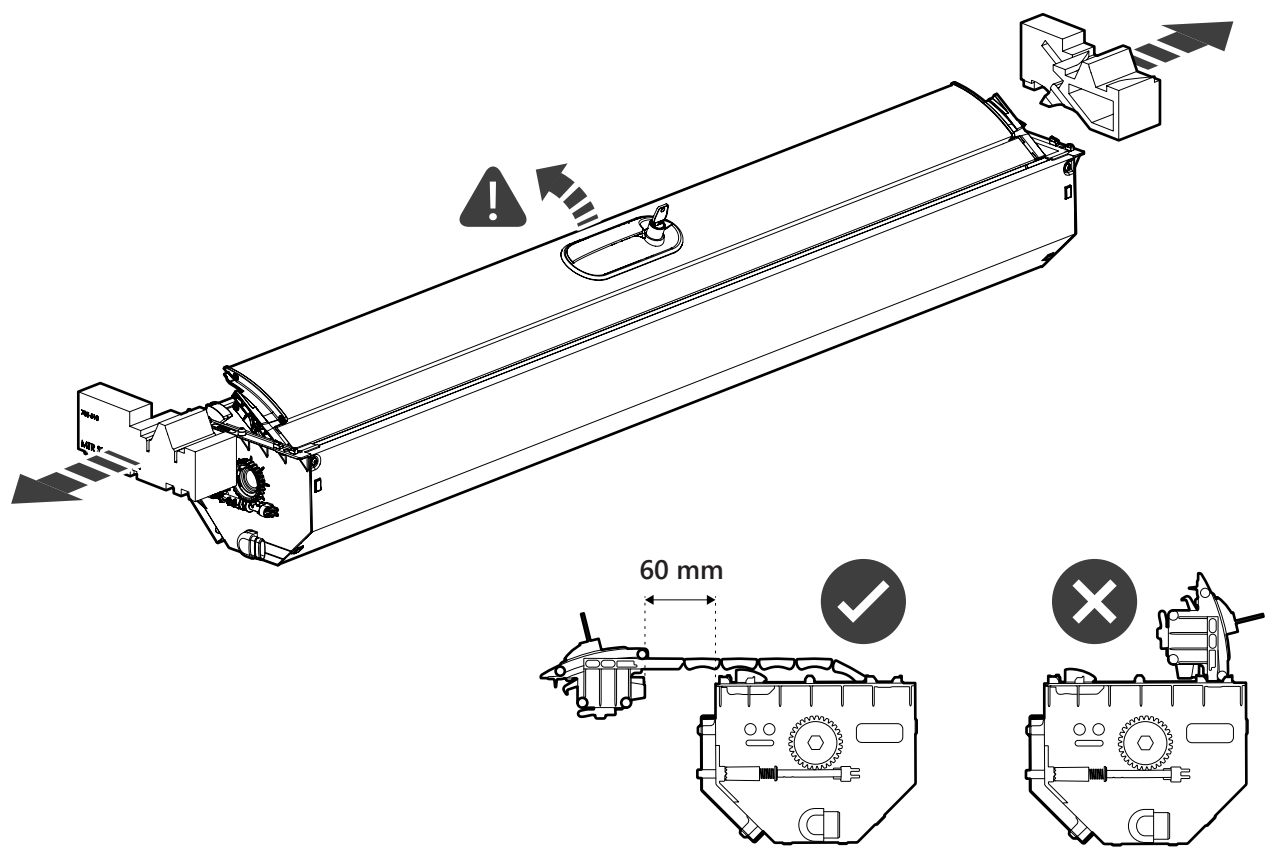


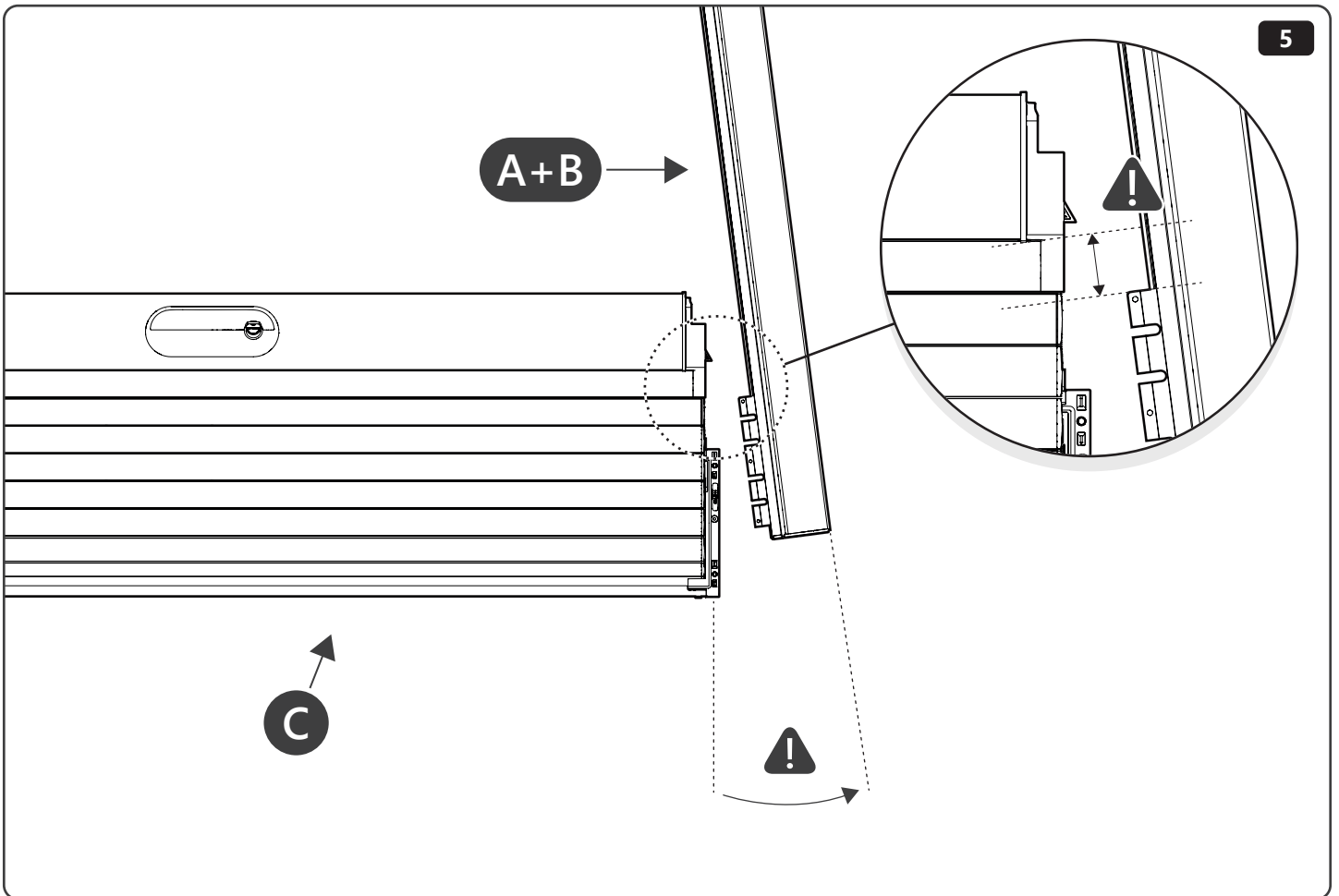
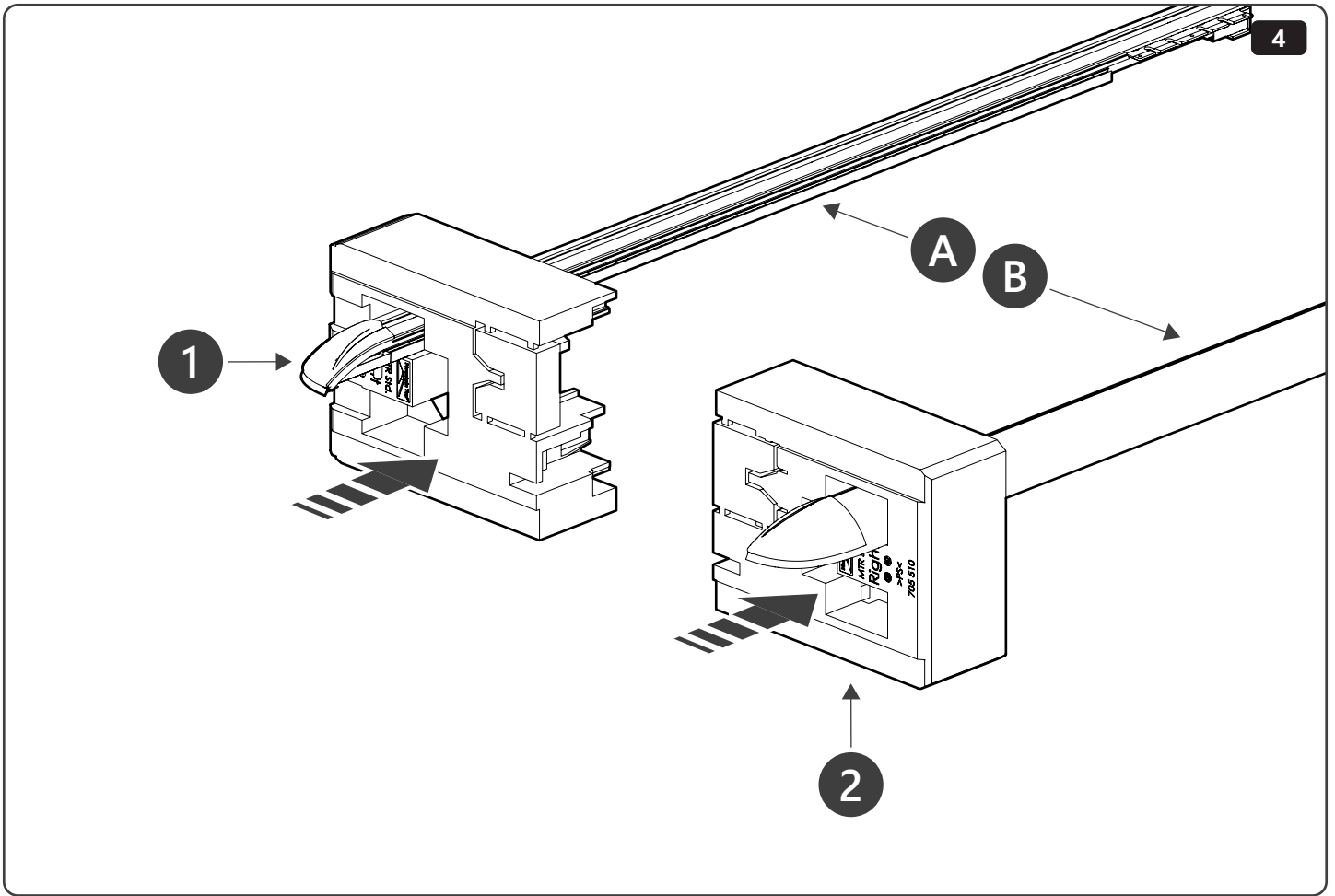


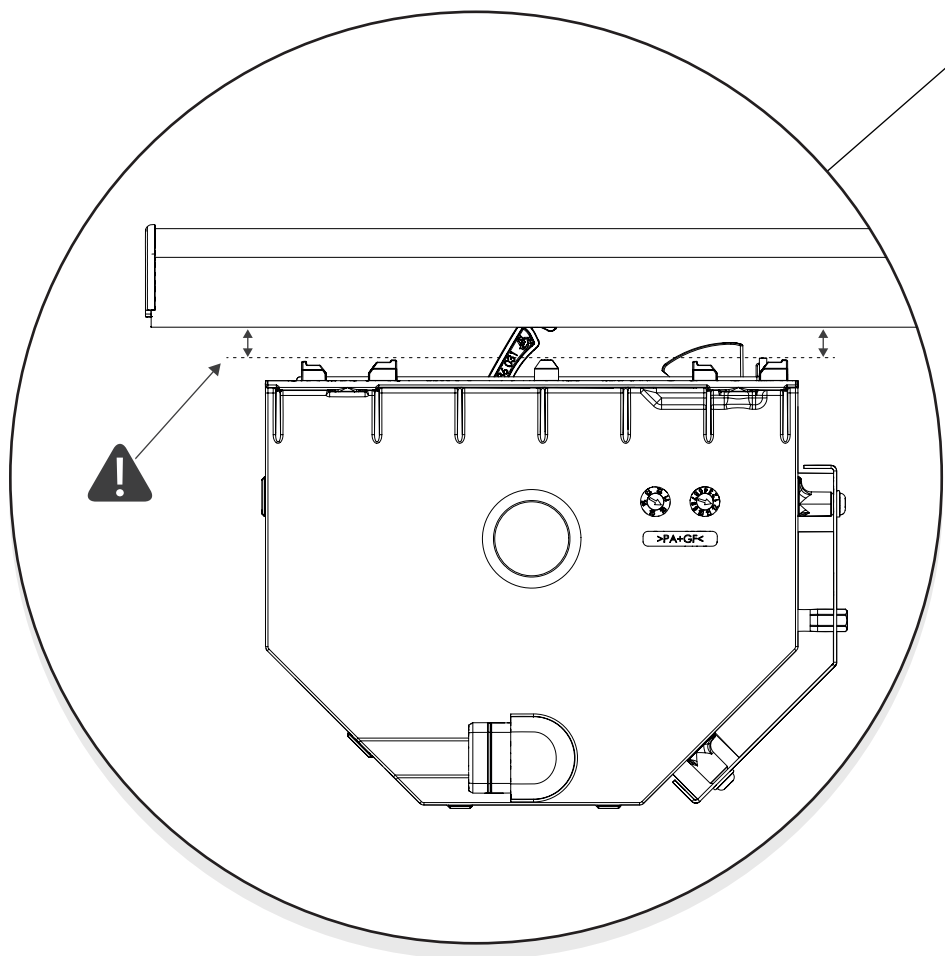
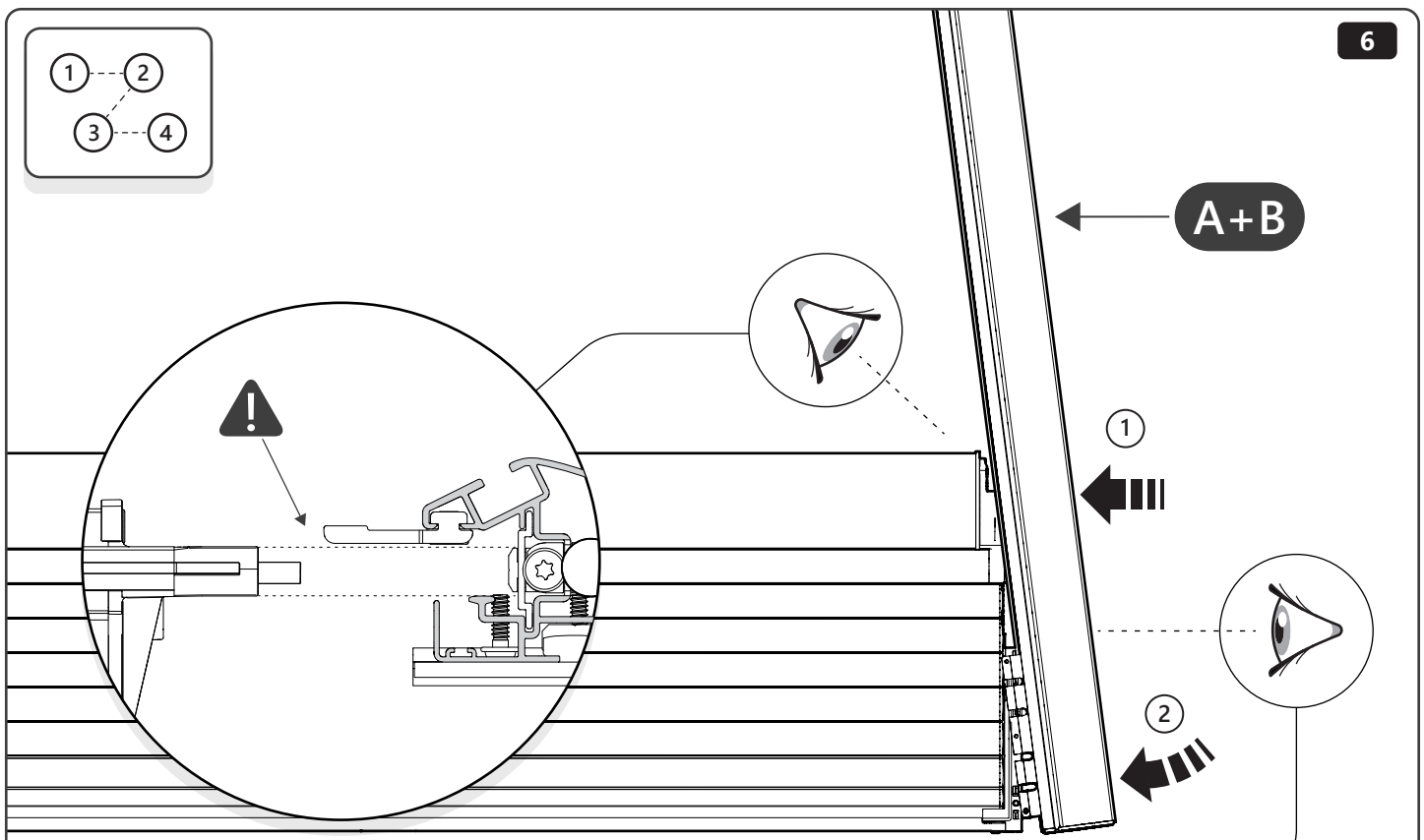
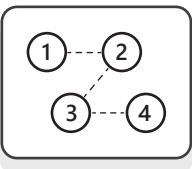
2

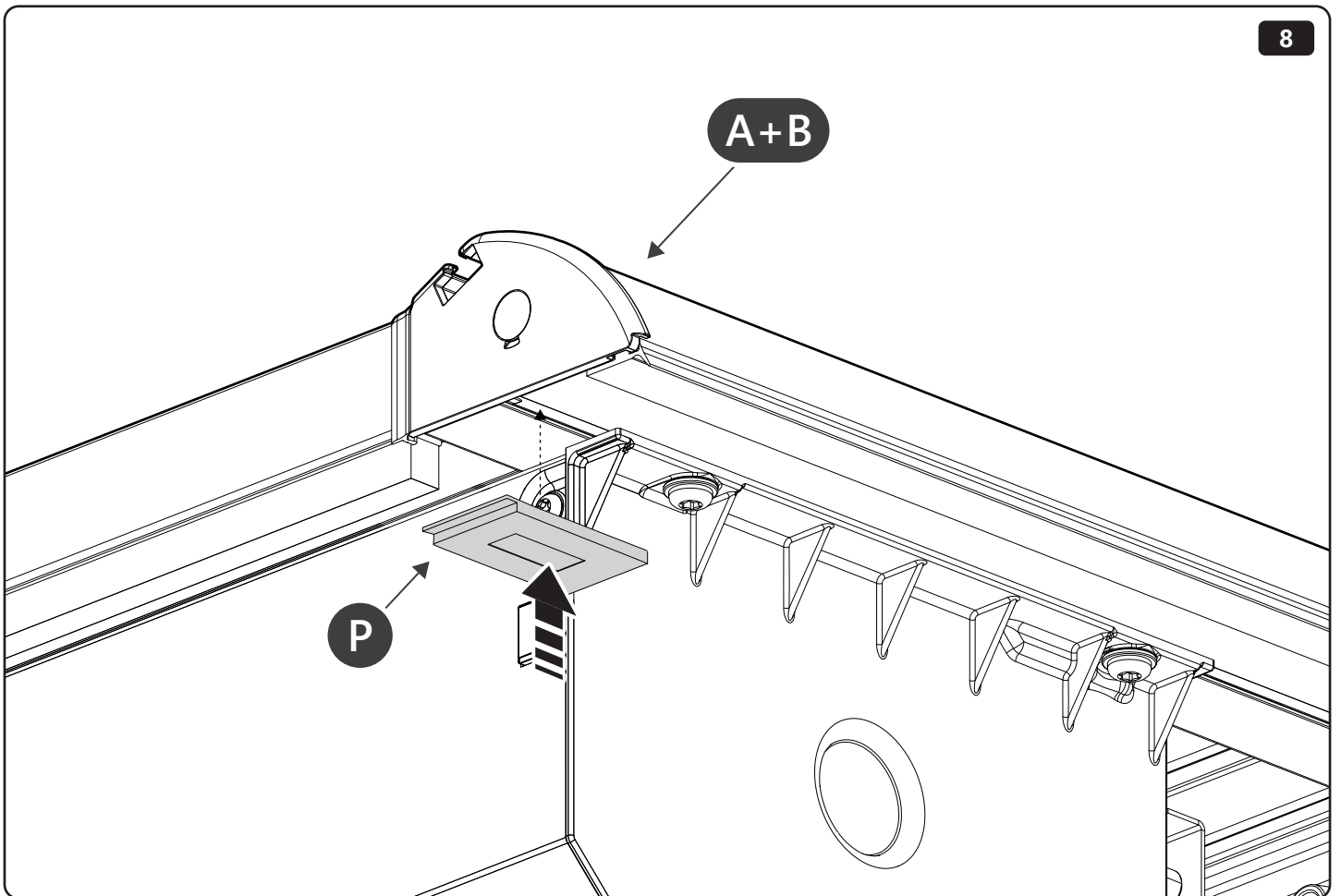
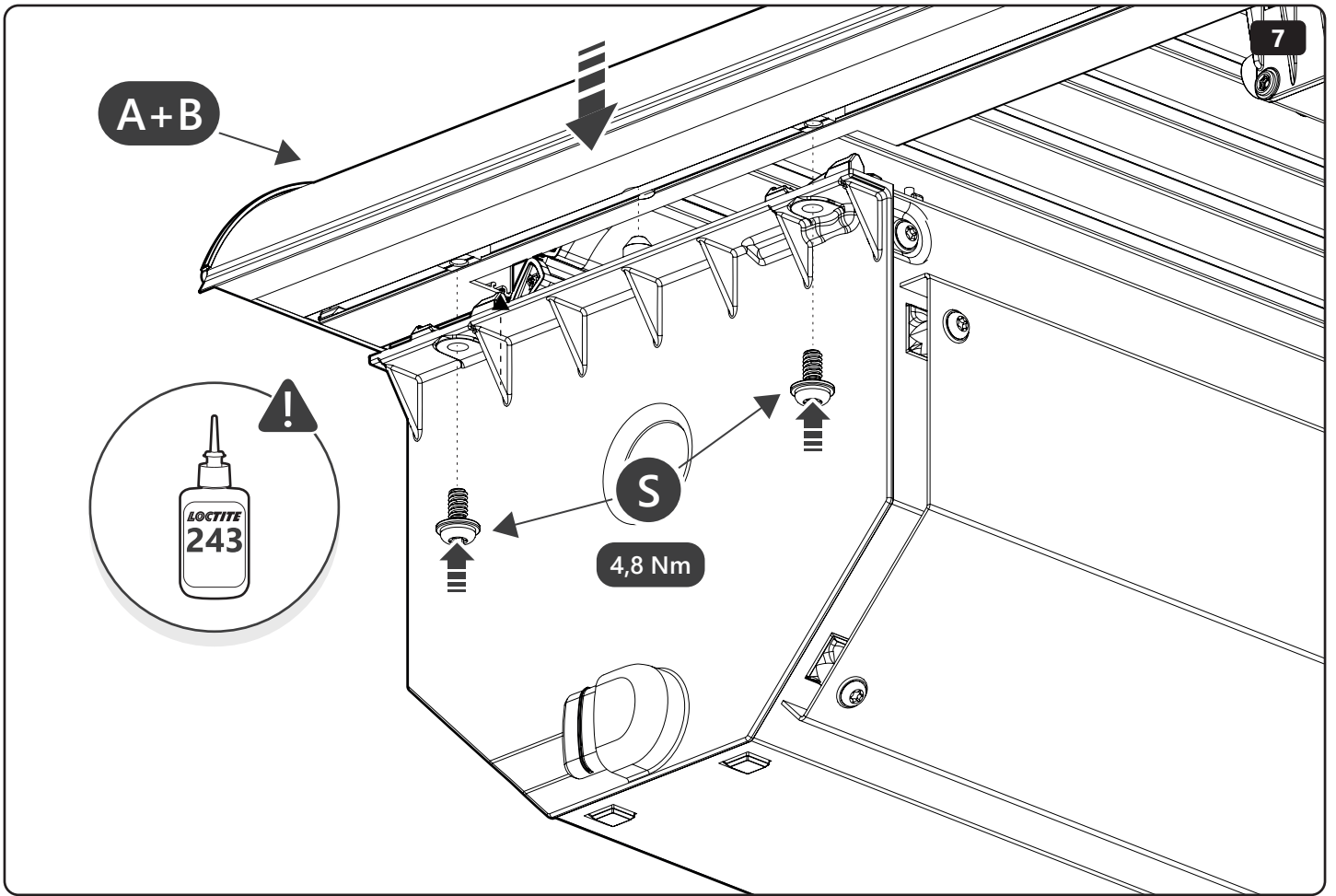


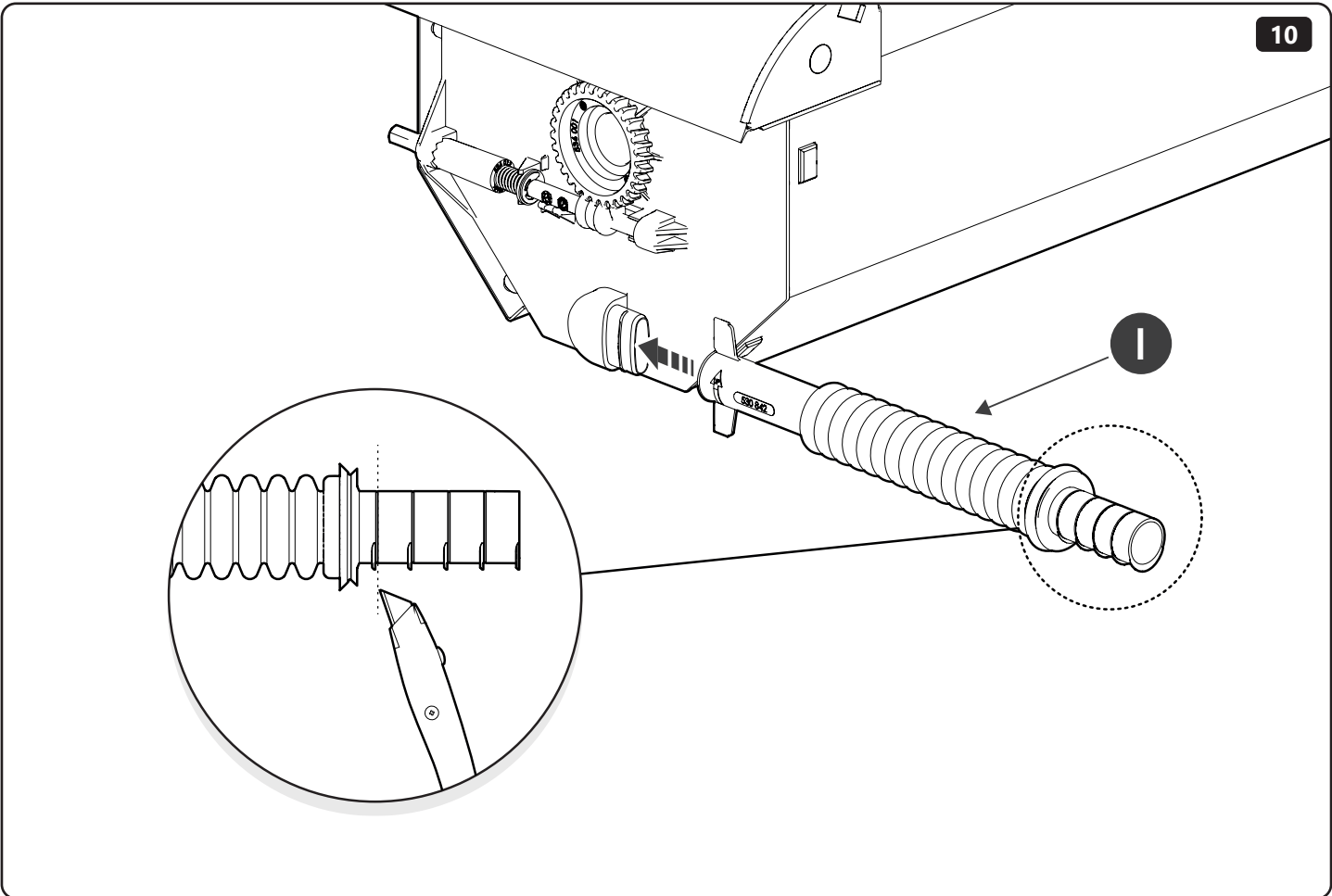
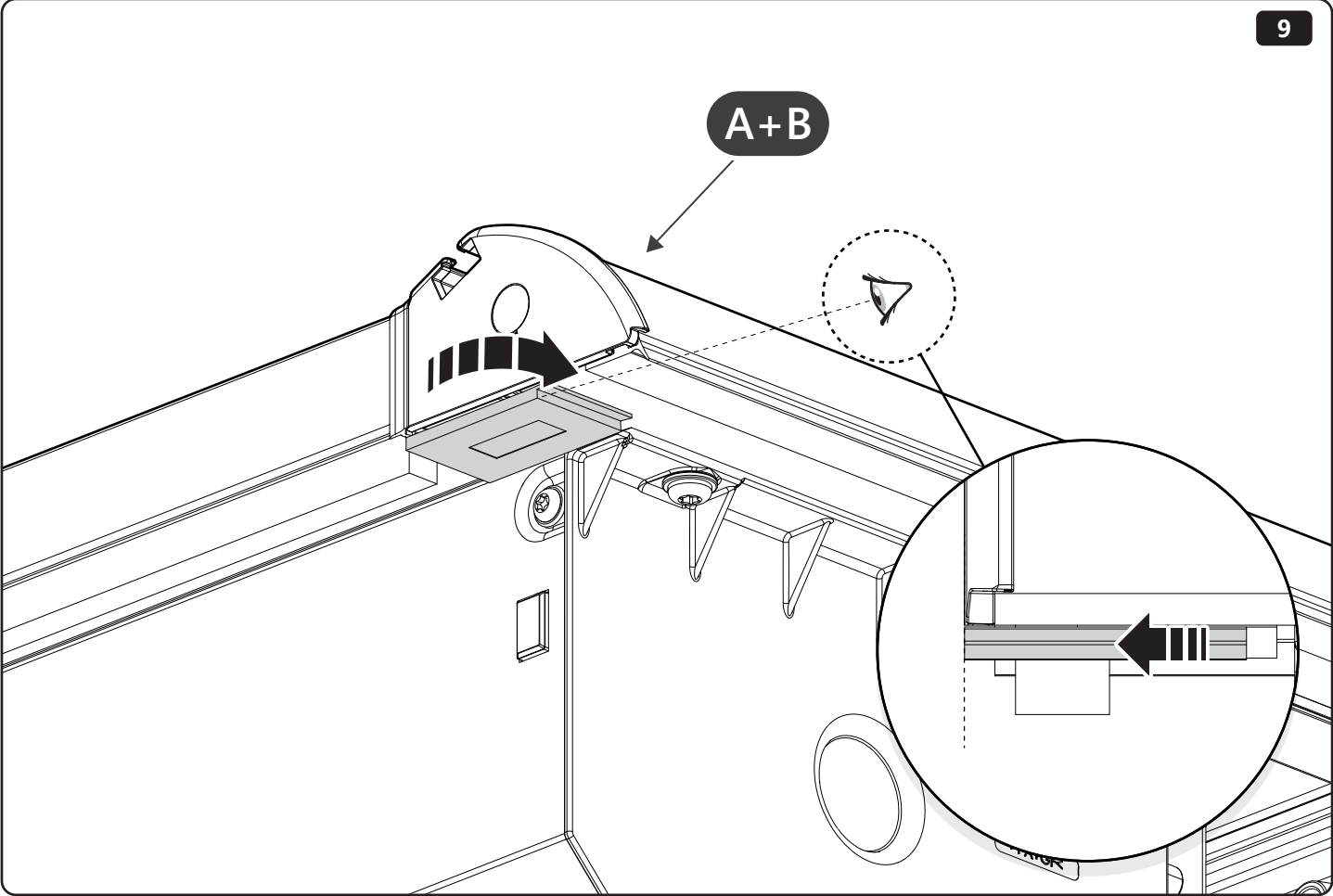
3

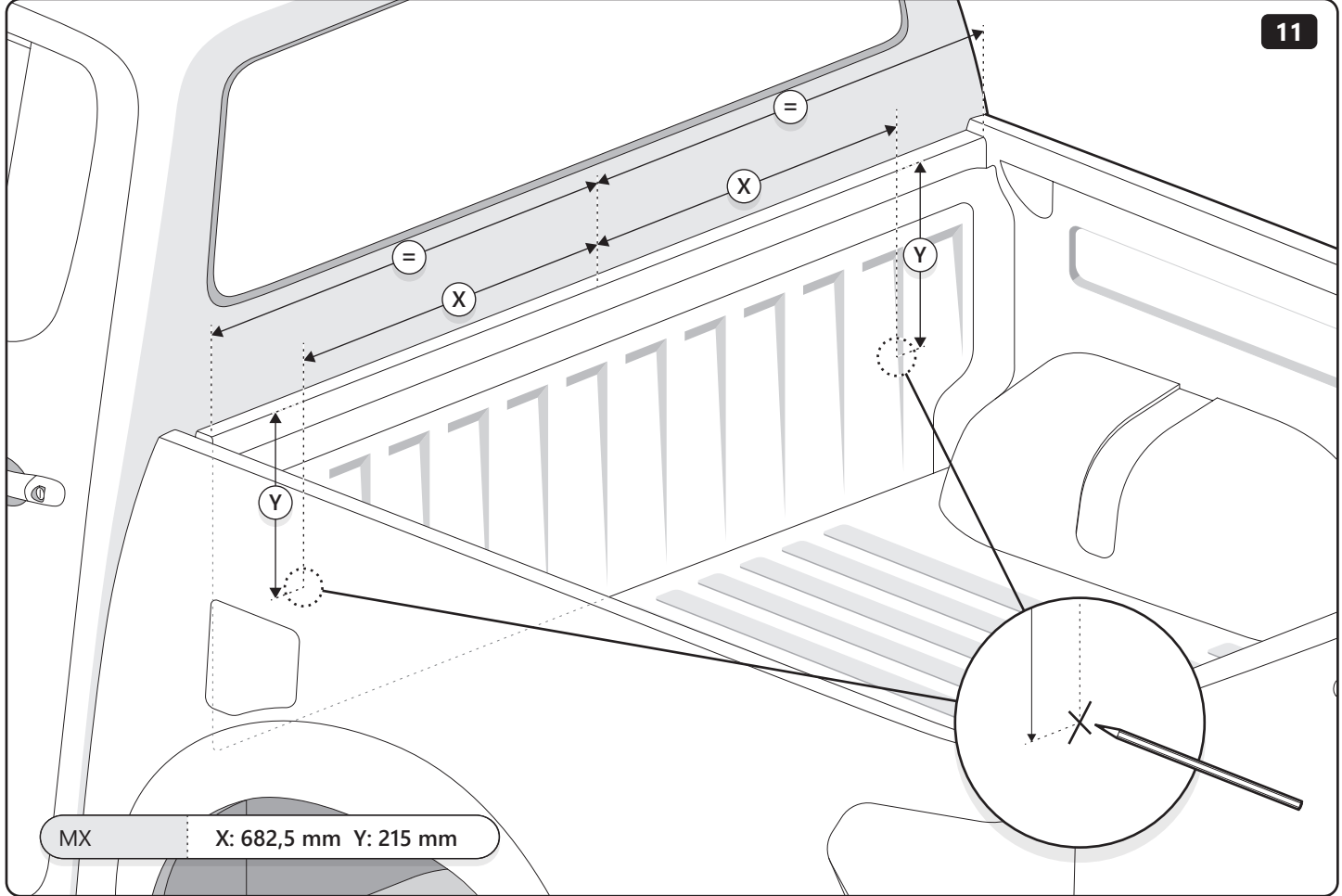




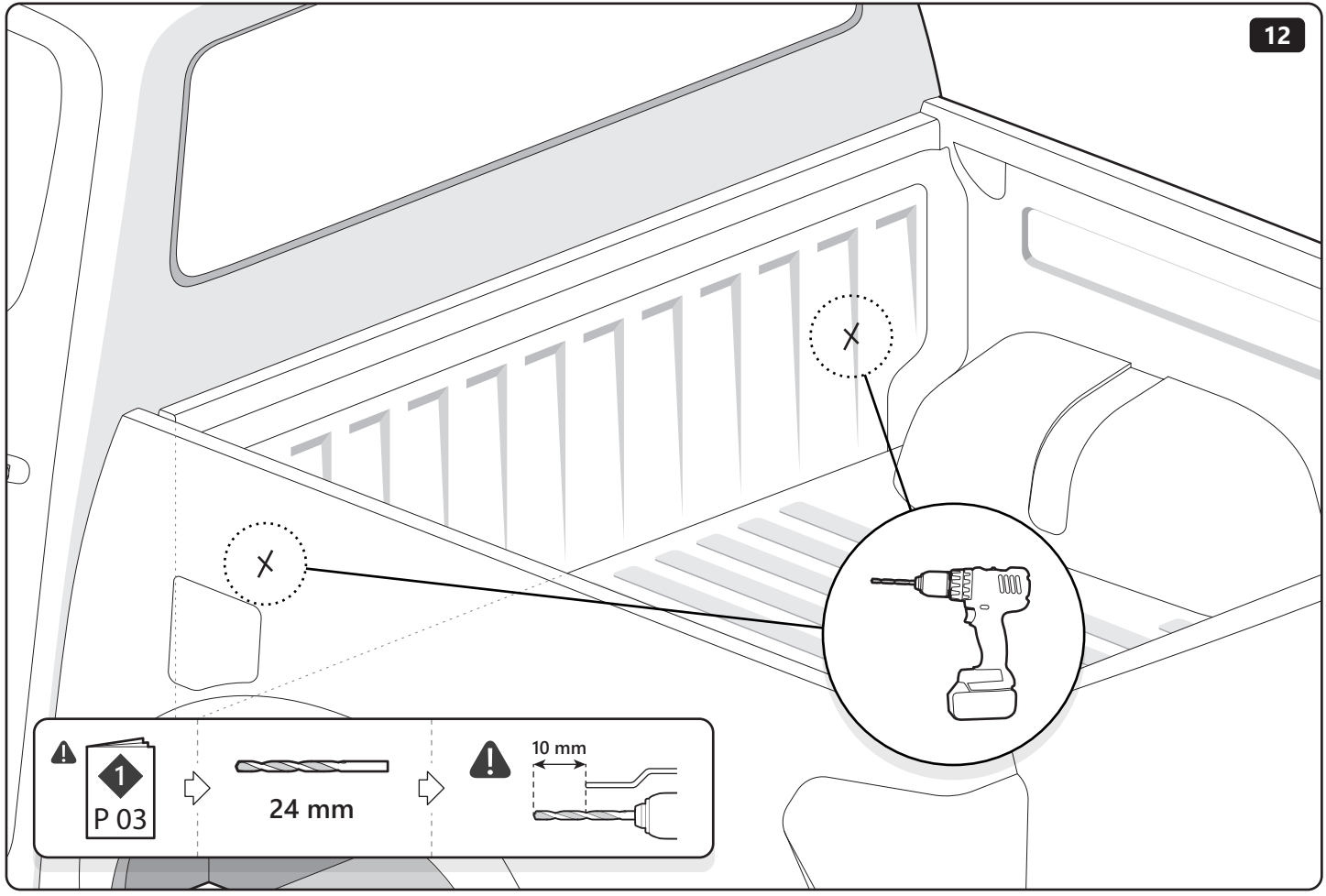




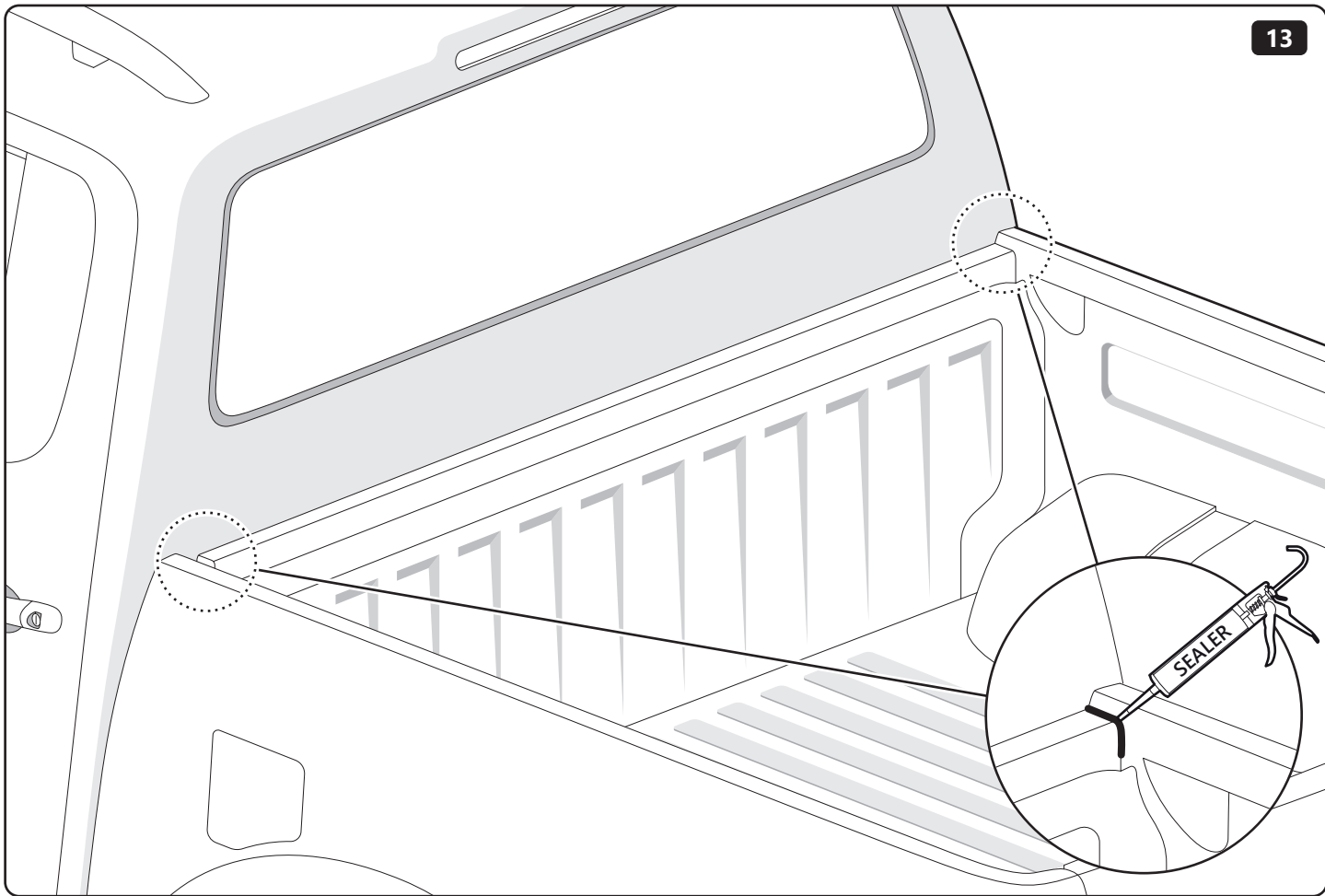




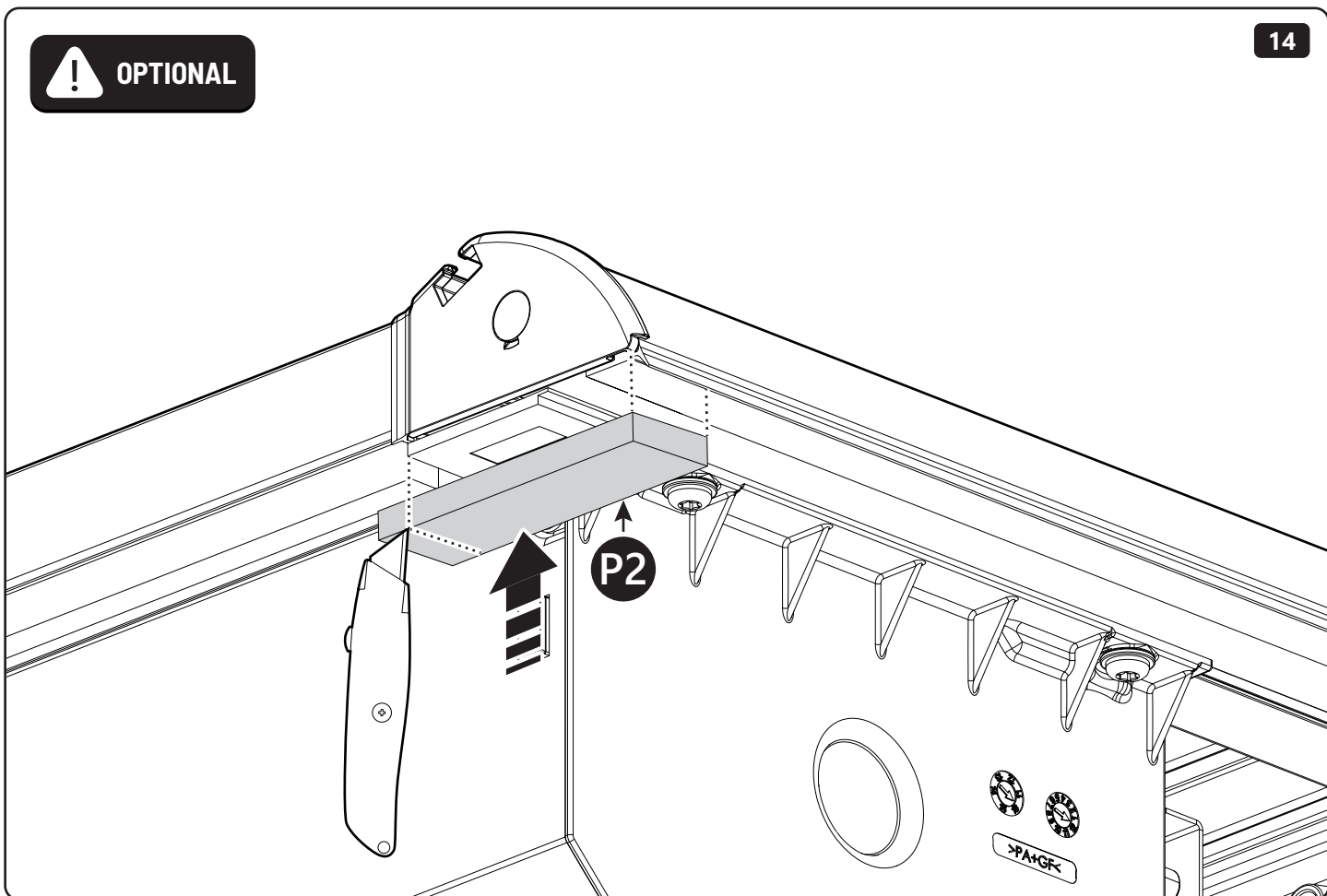
MX X: 682,5 mm Y: 215 mm

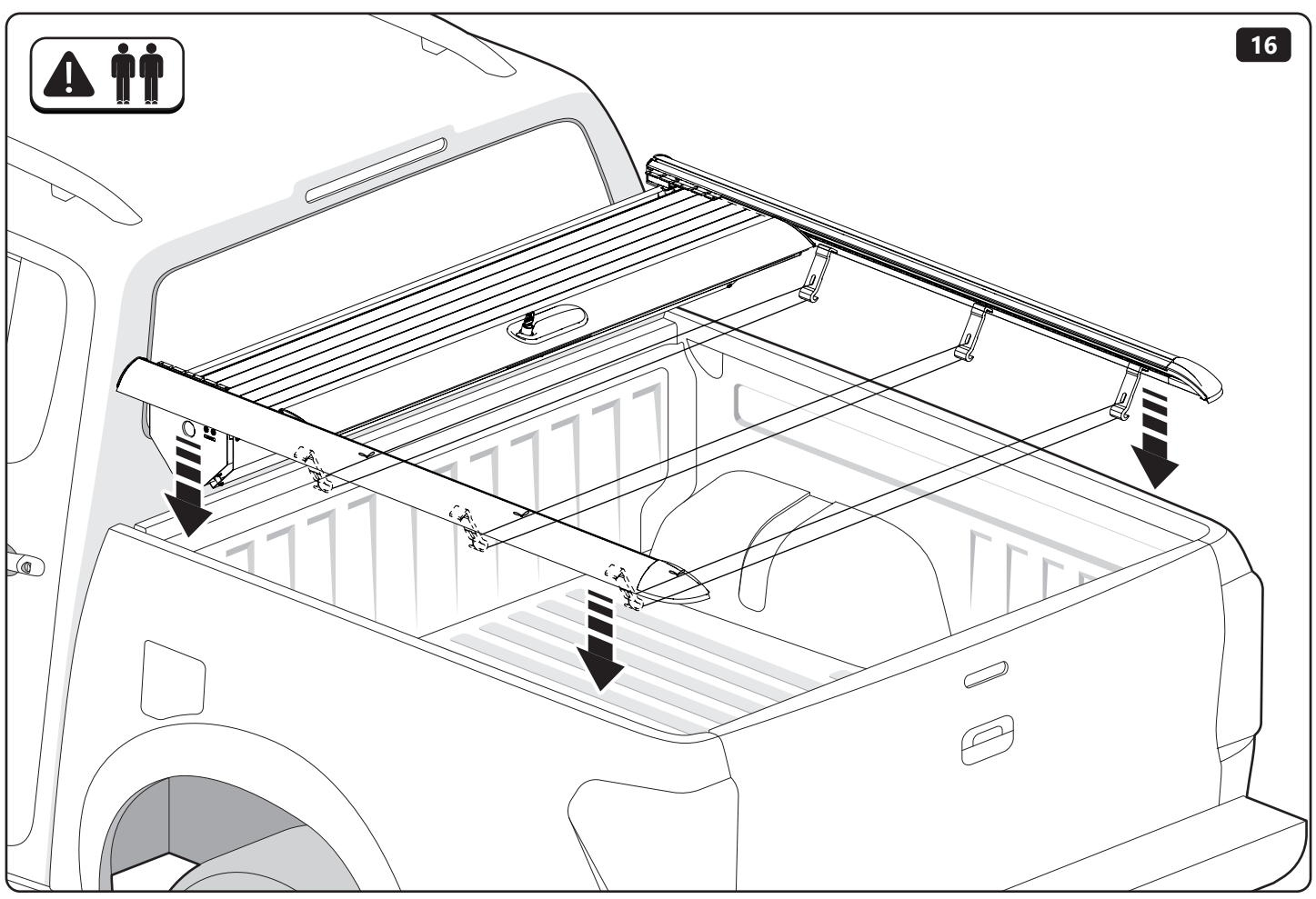
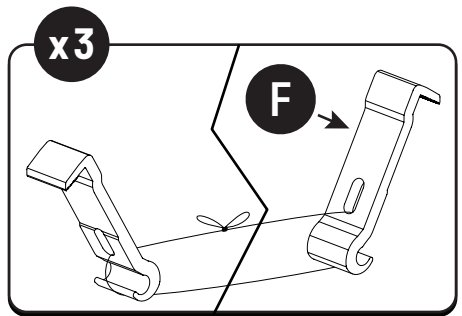
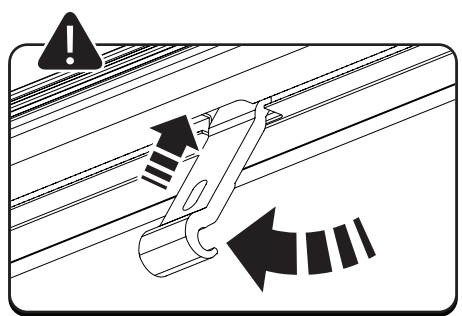
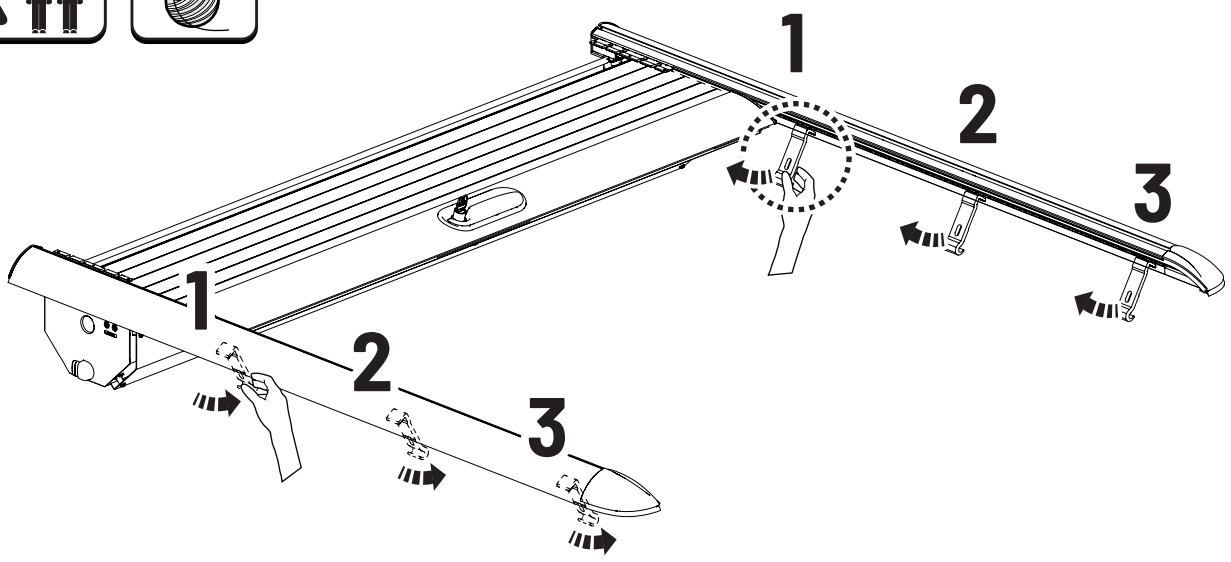


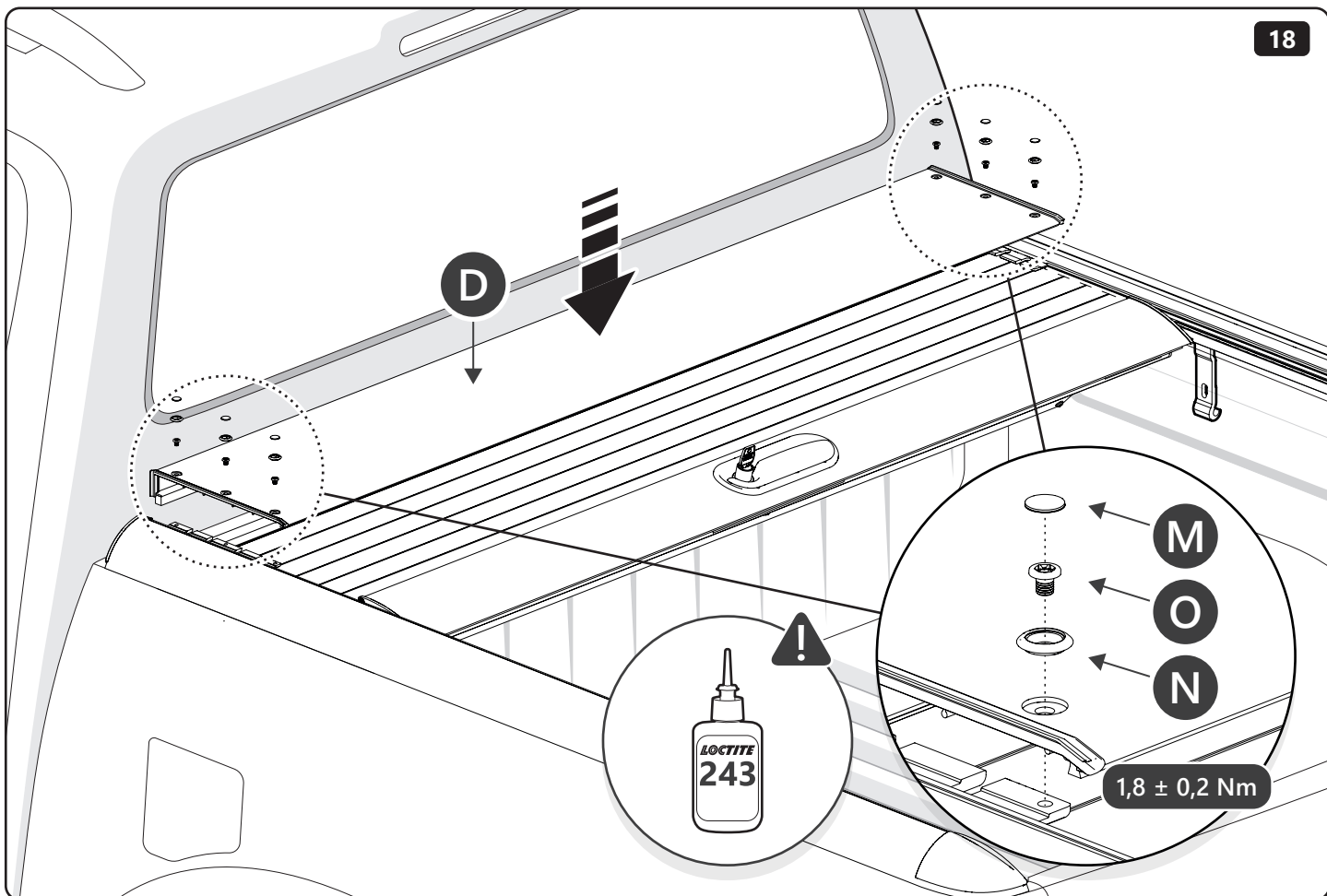
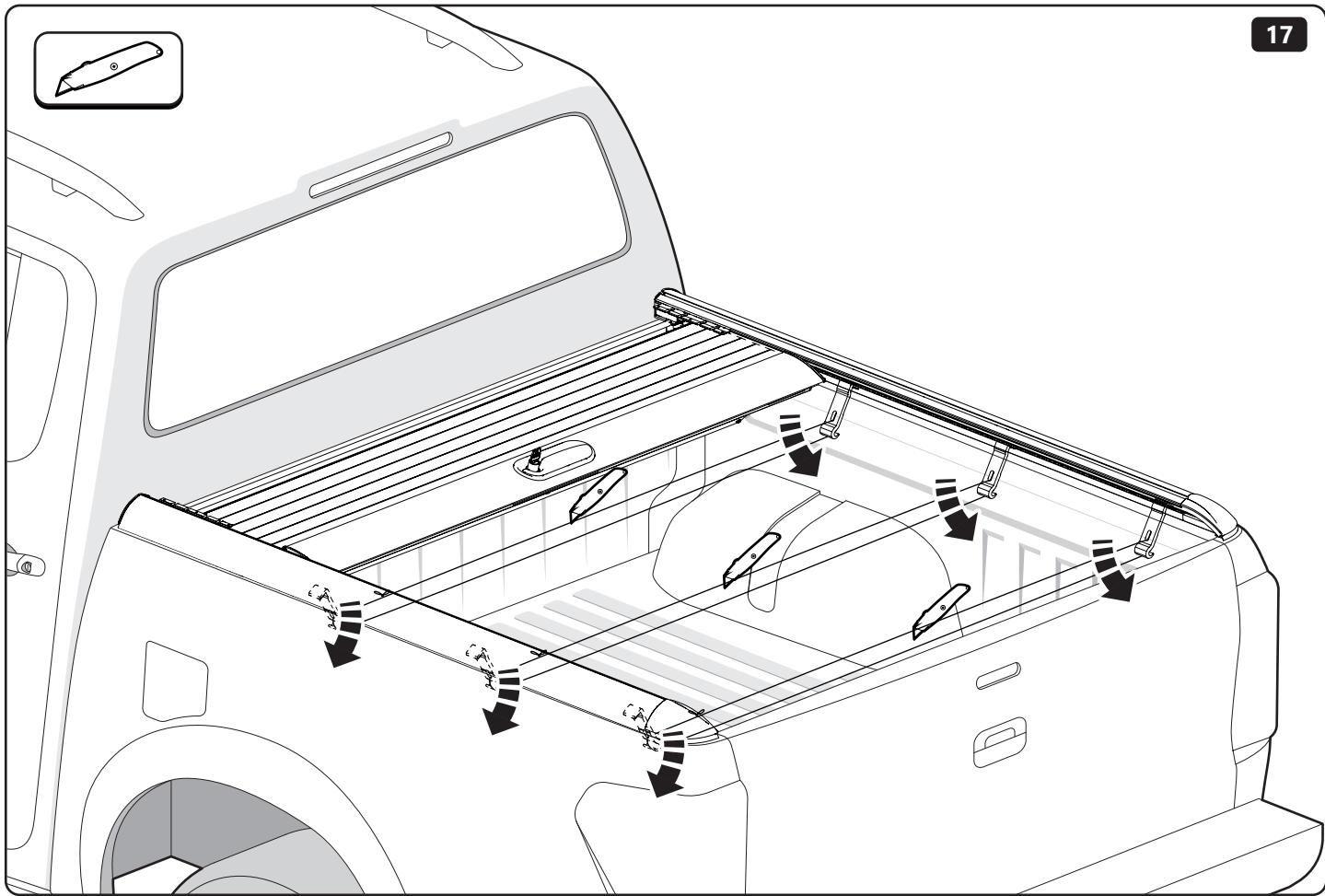
⚠️ 1 P 03 → 24 mm → ⚠️ 10 mm

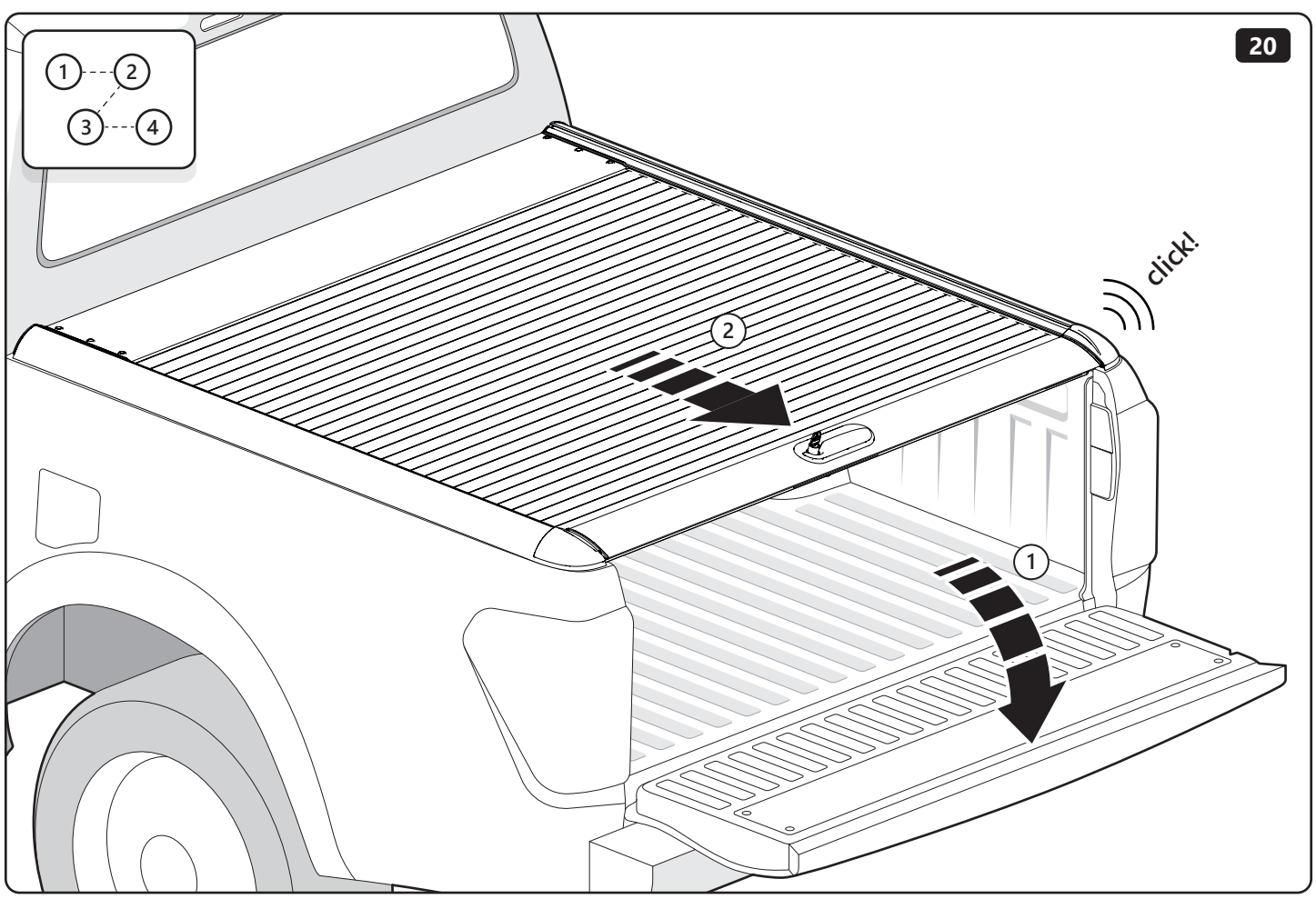
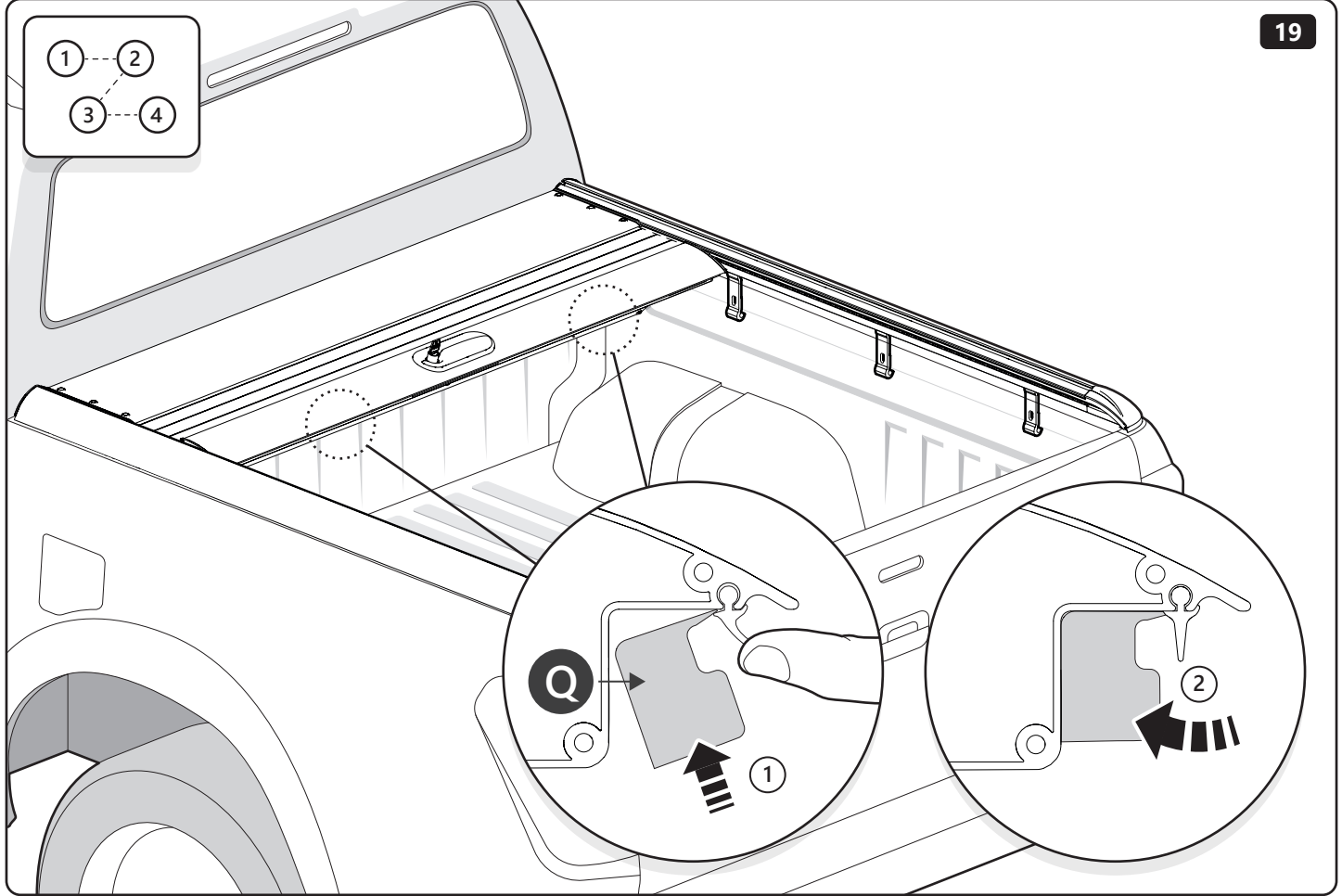


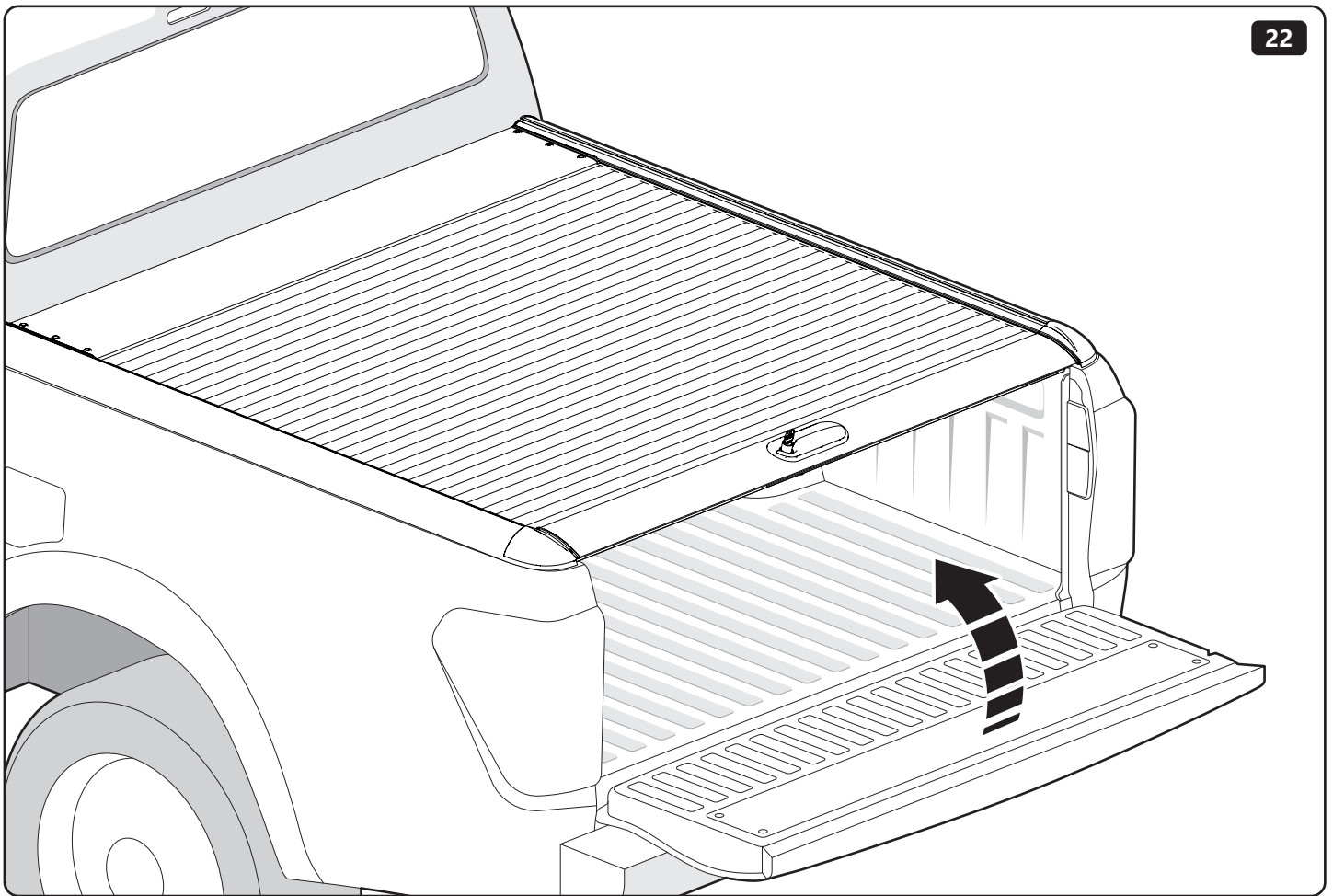
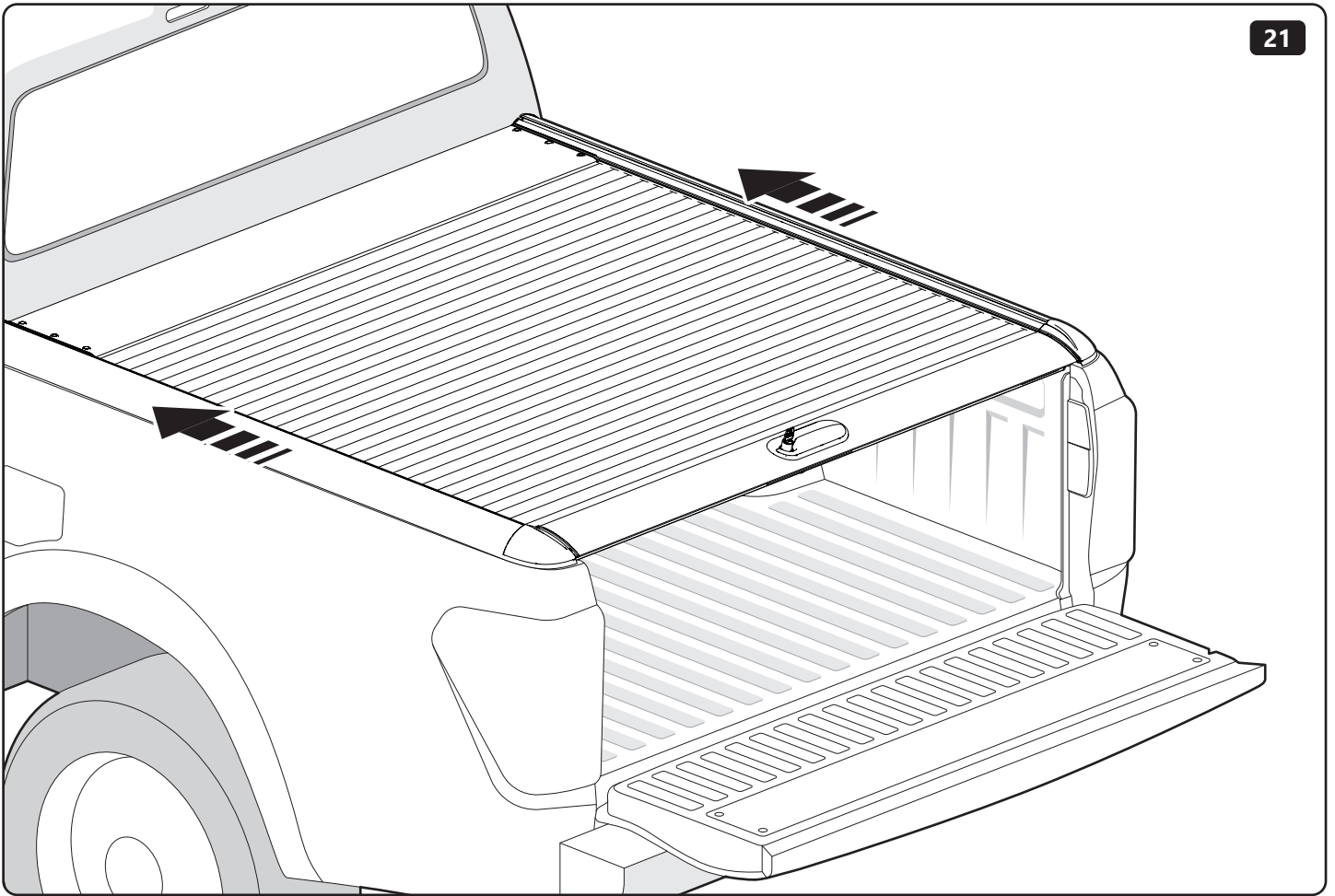
! OPTIONAL

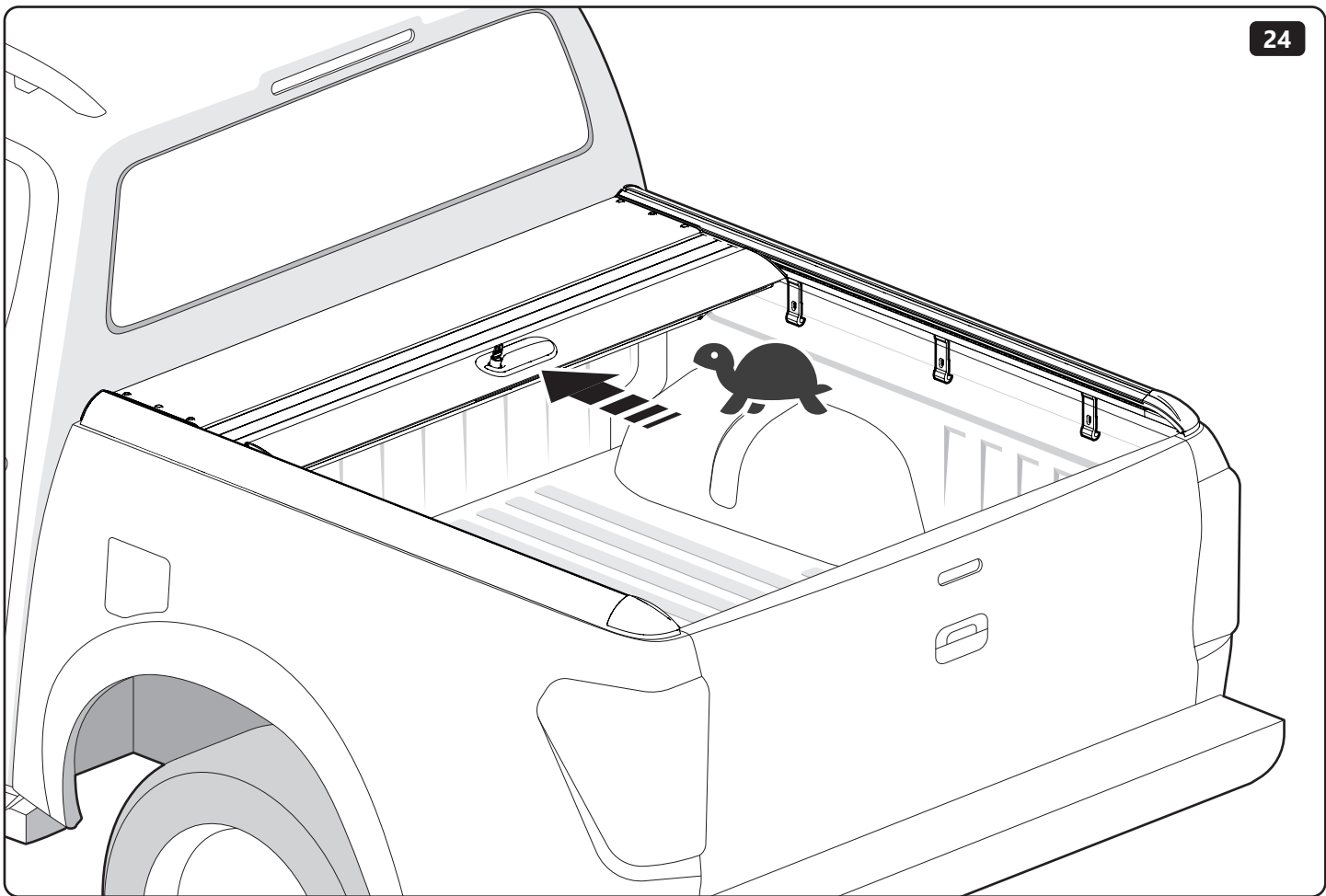
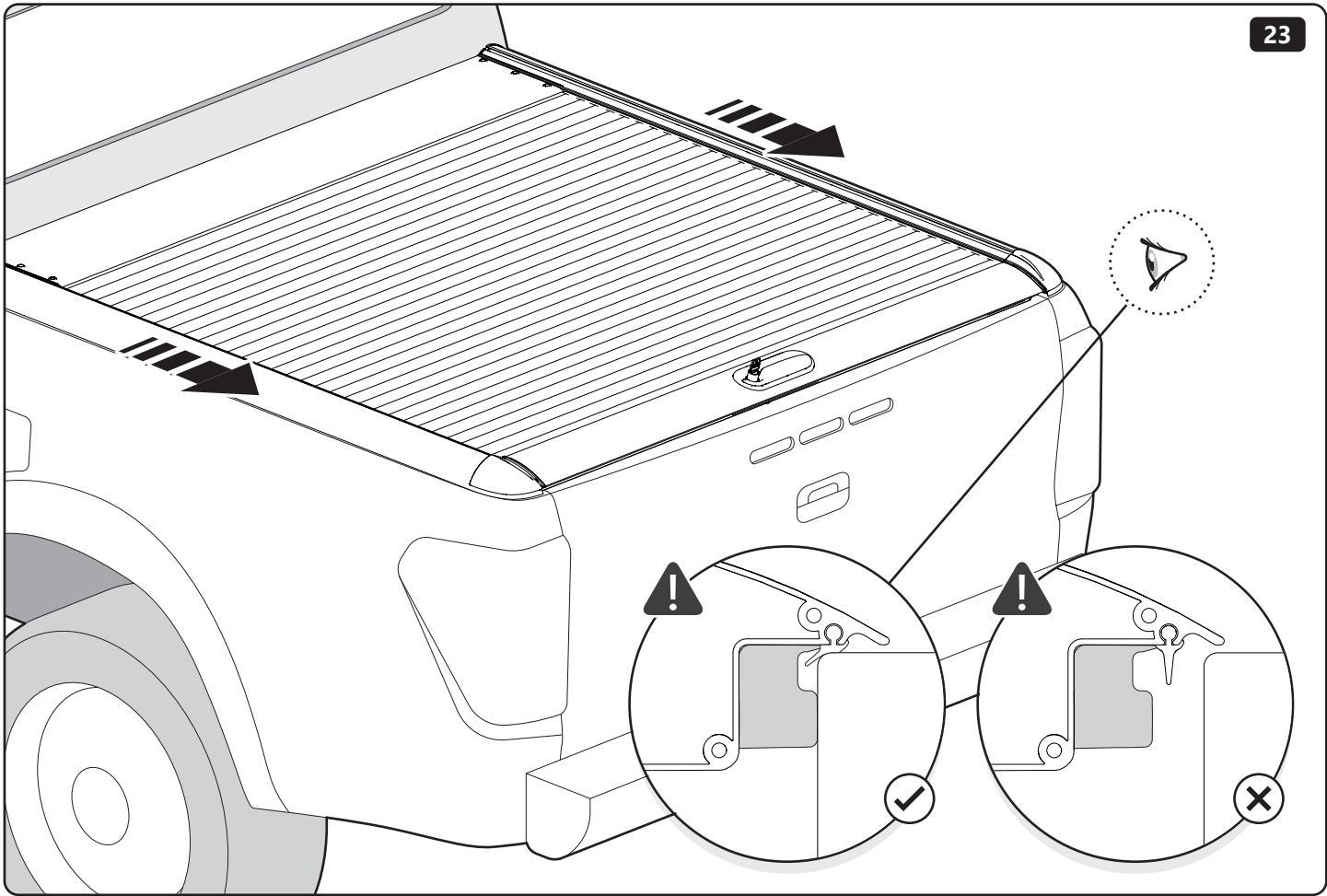


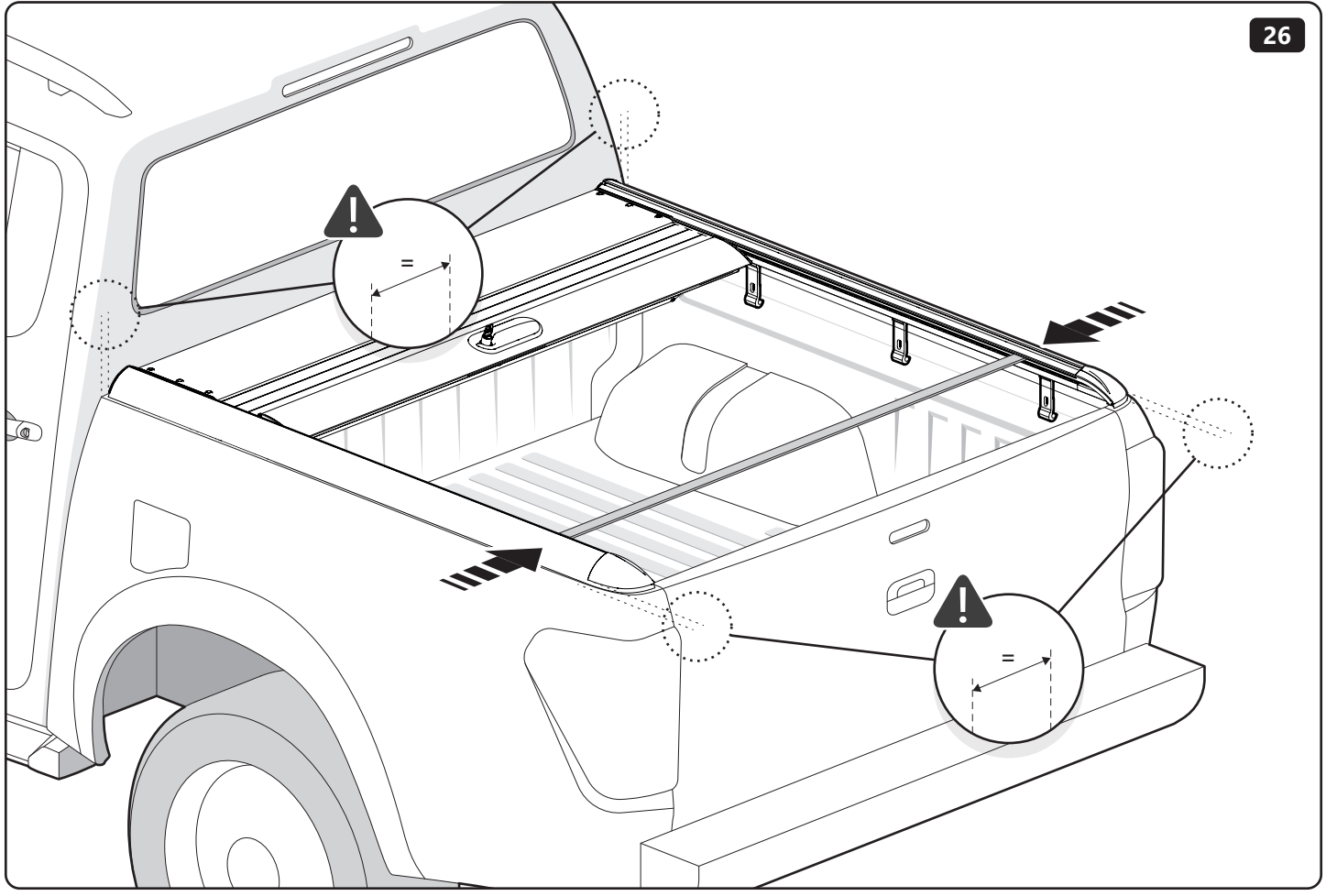
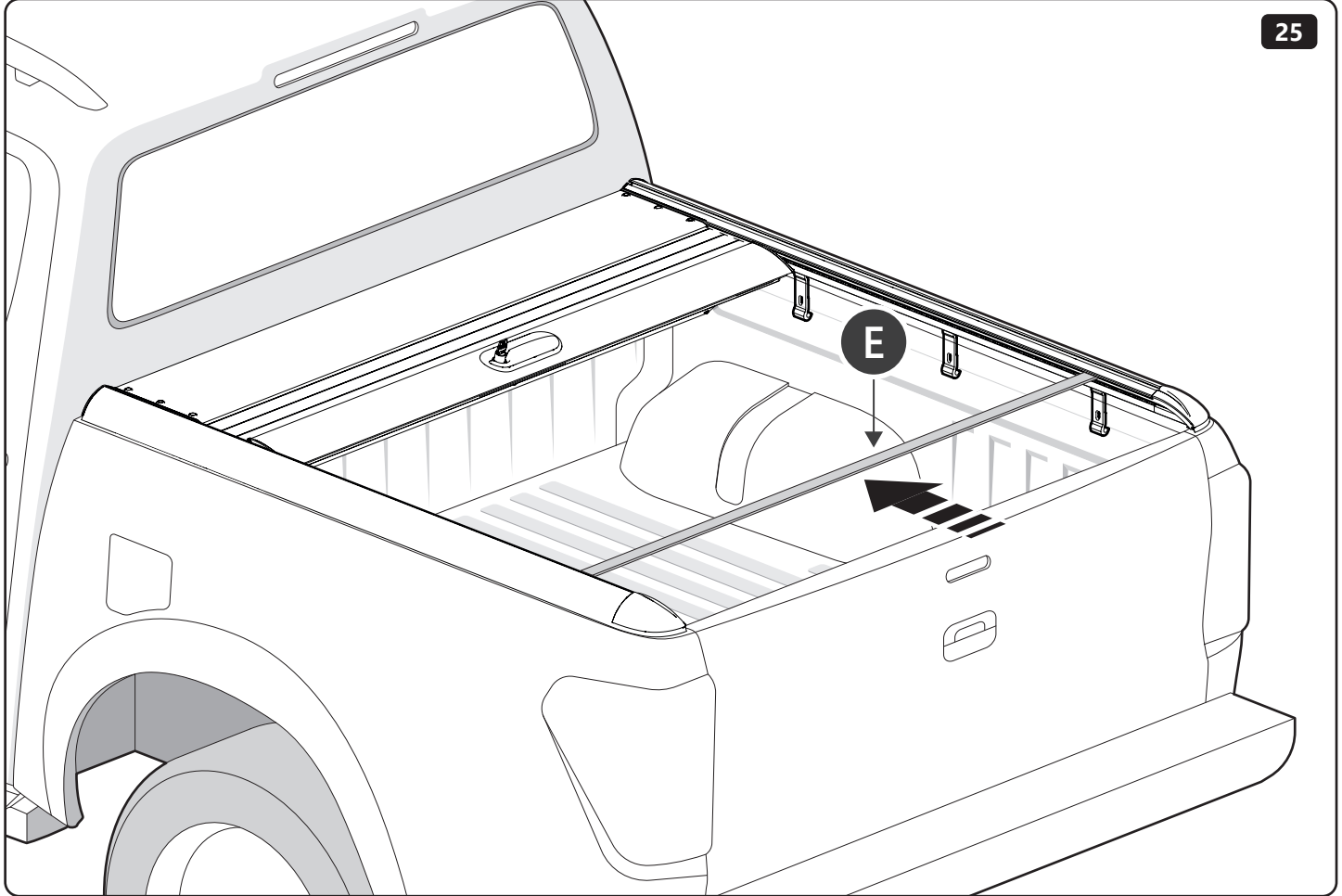


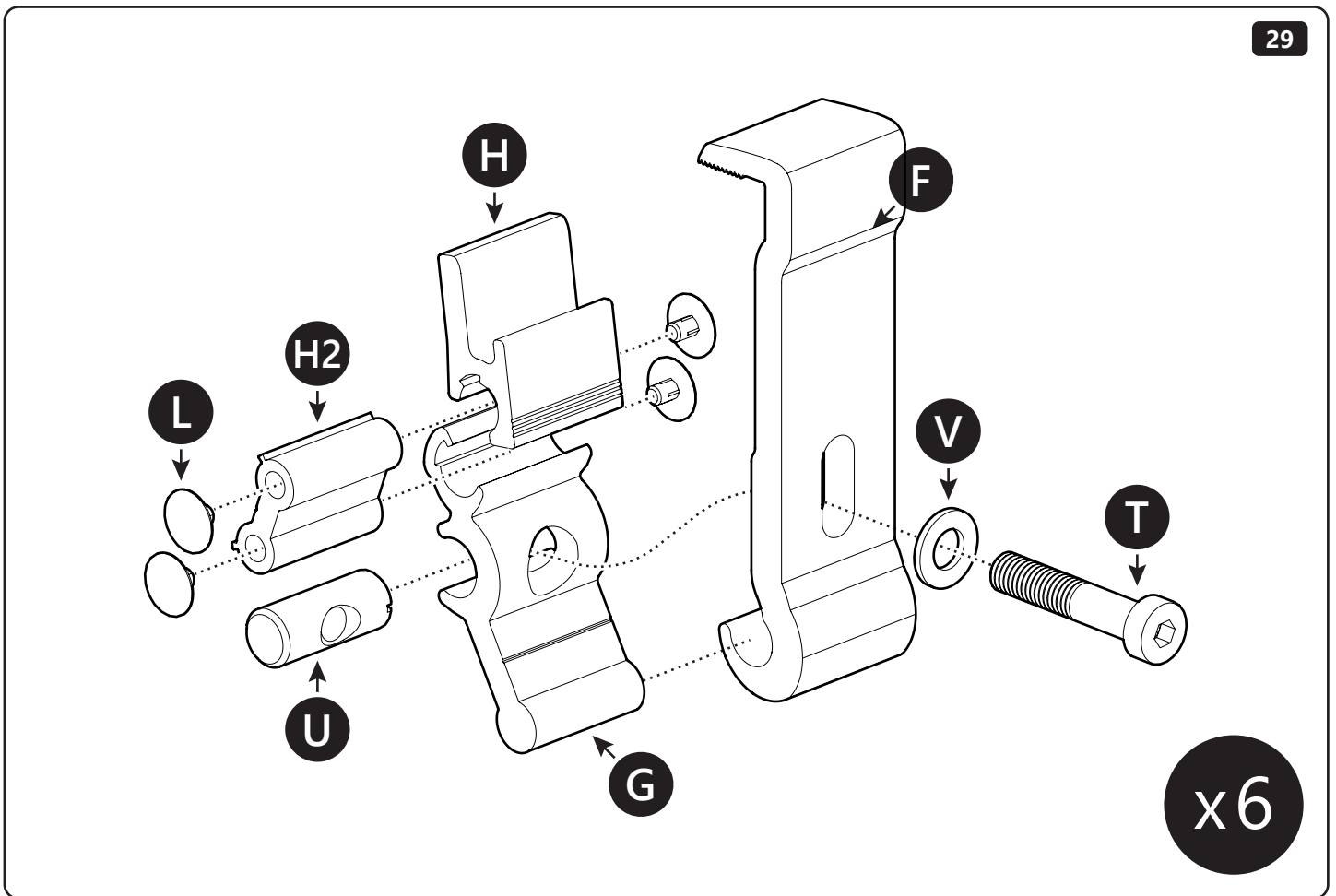
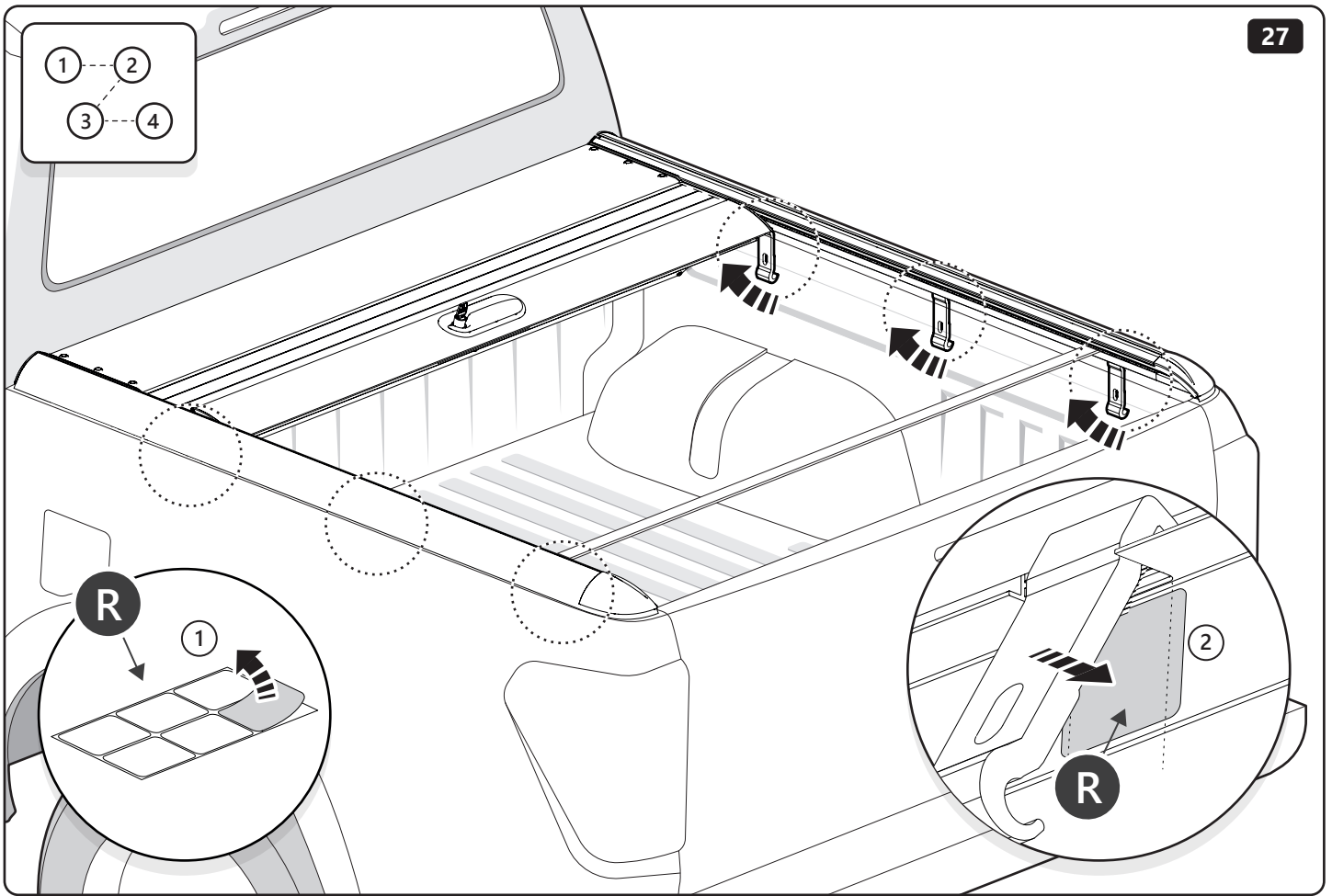


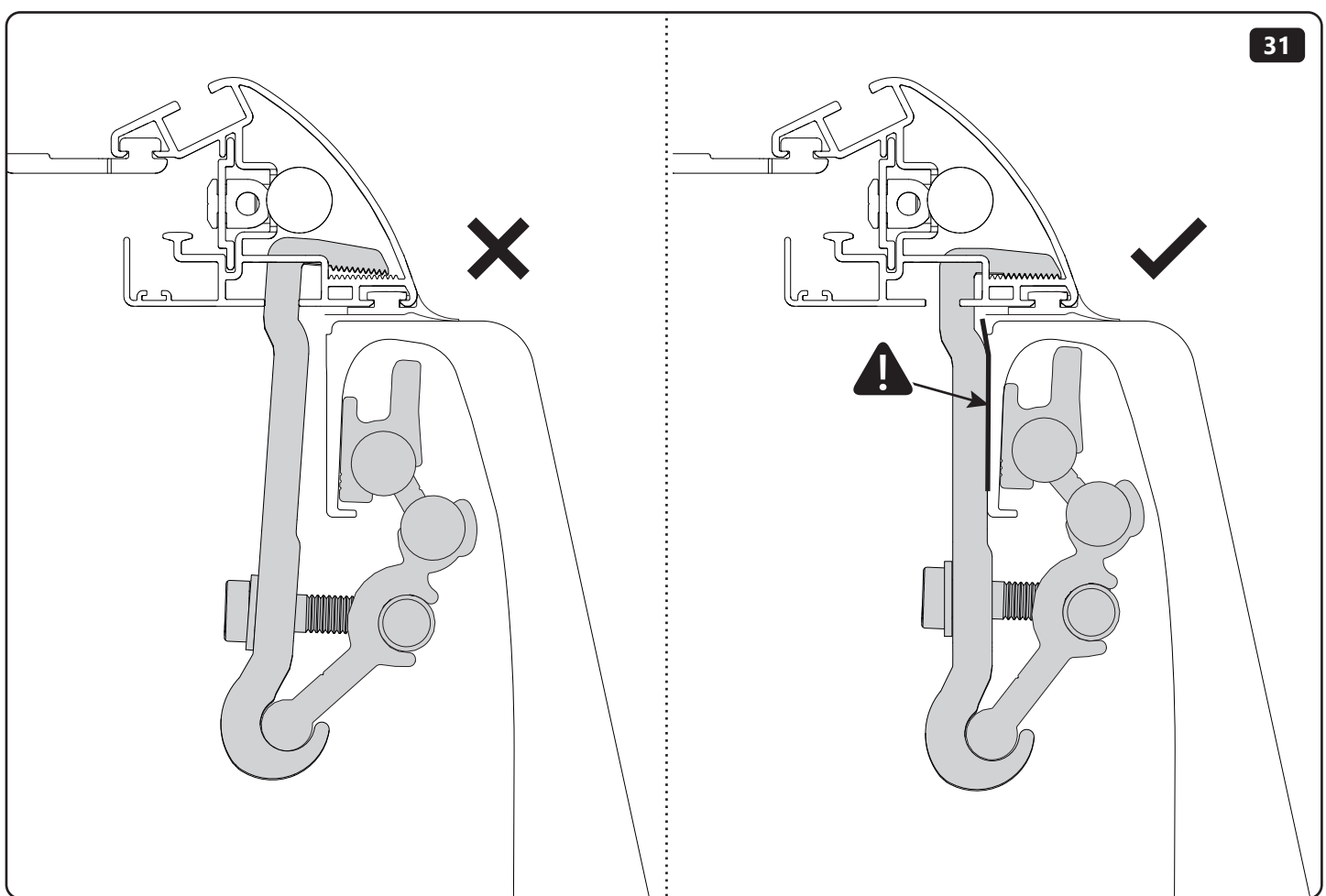
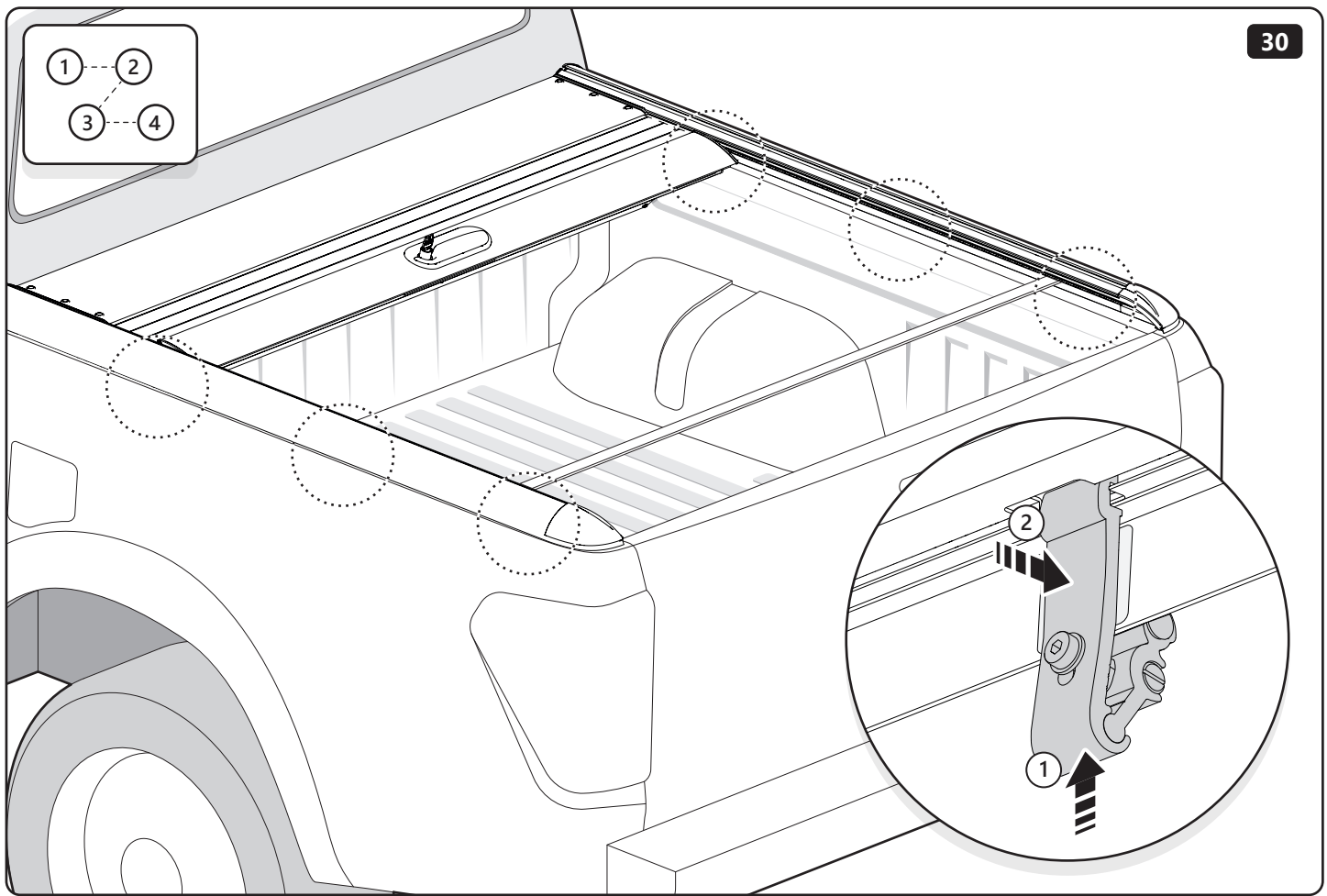


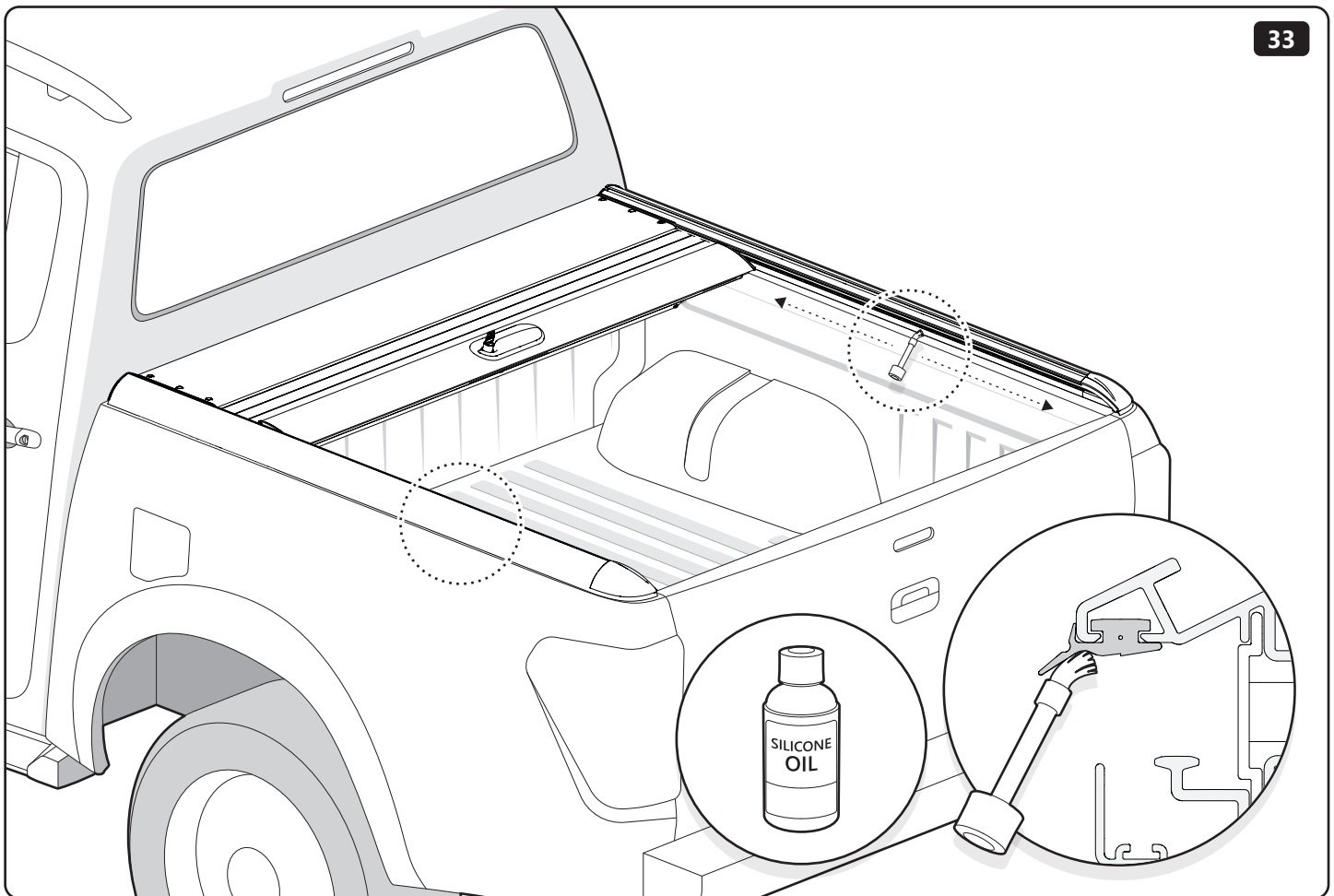
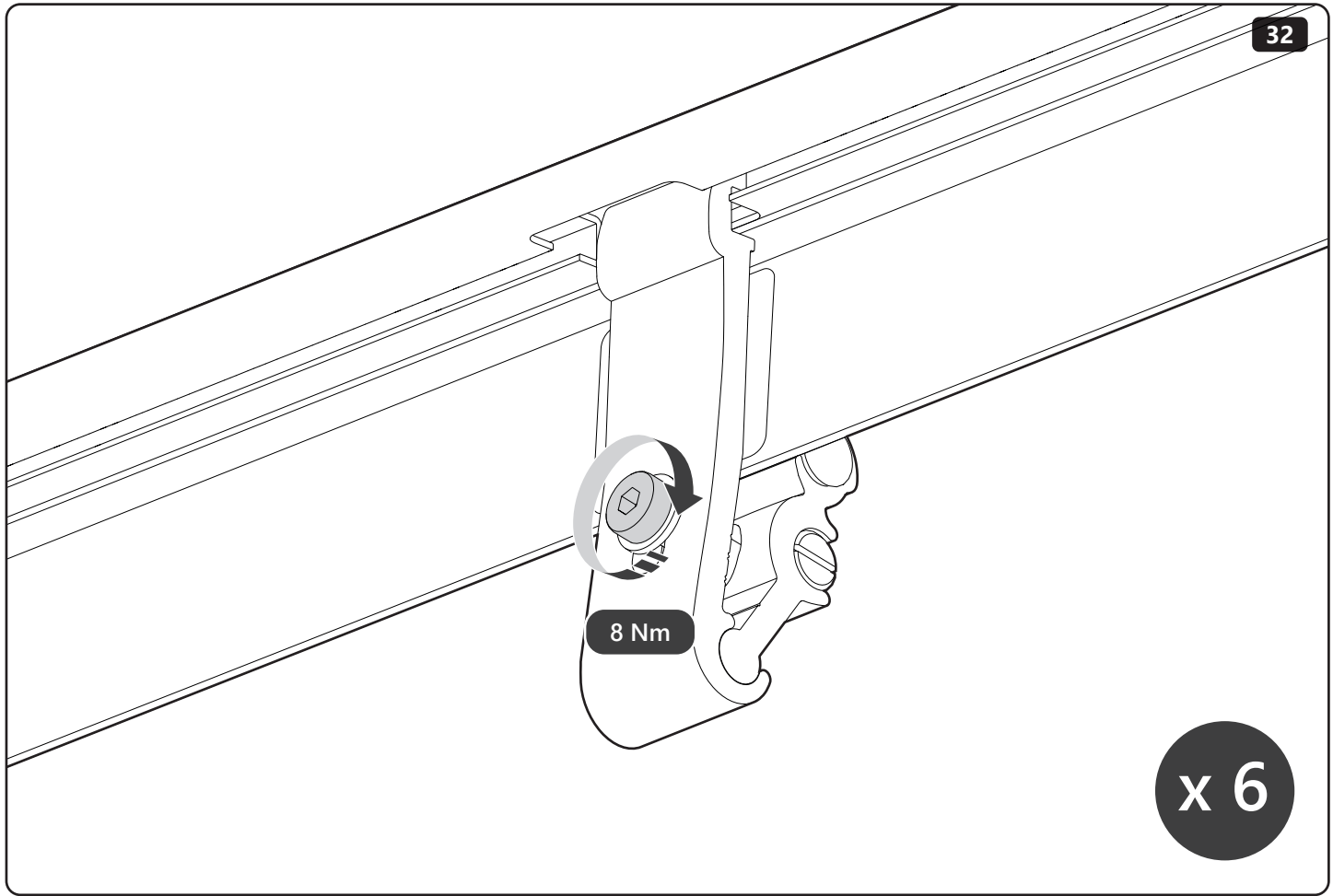


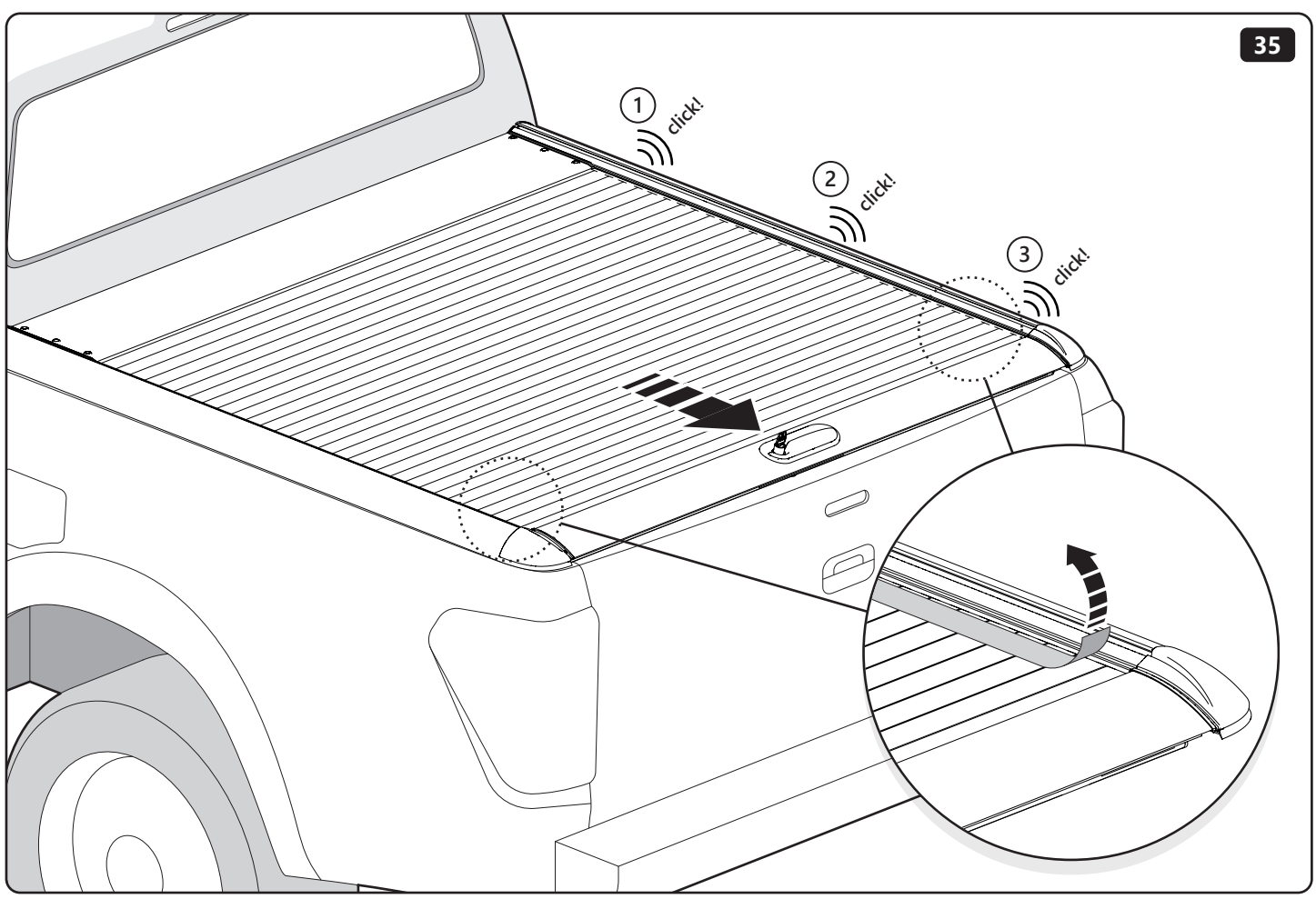
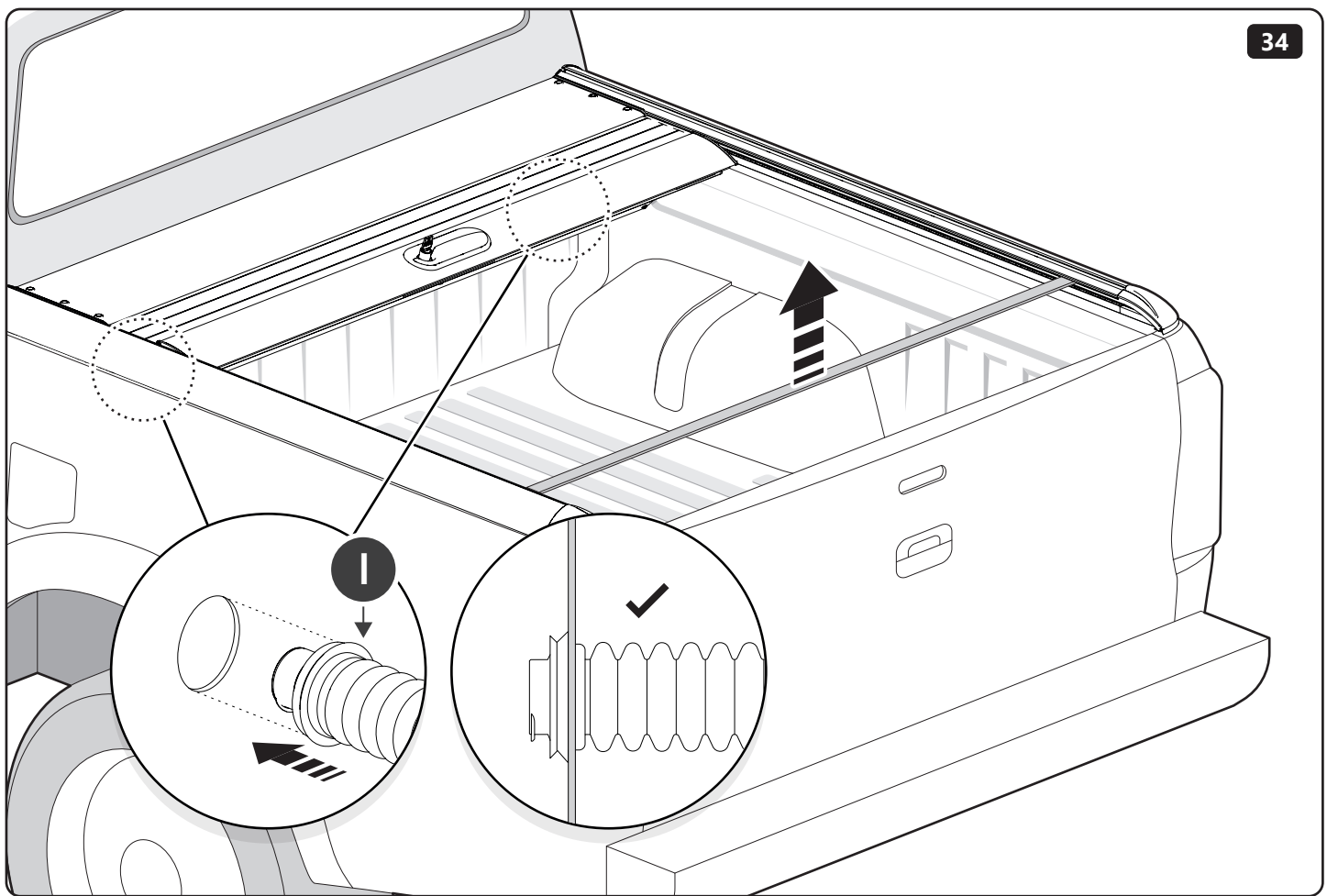


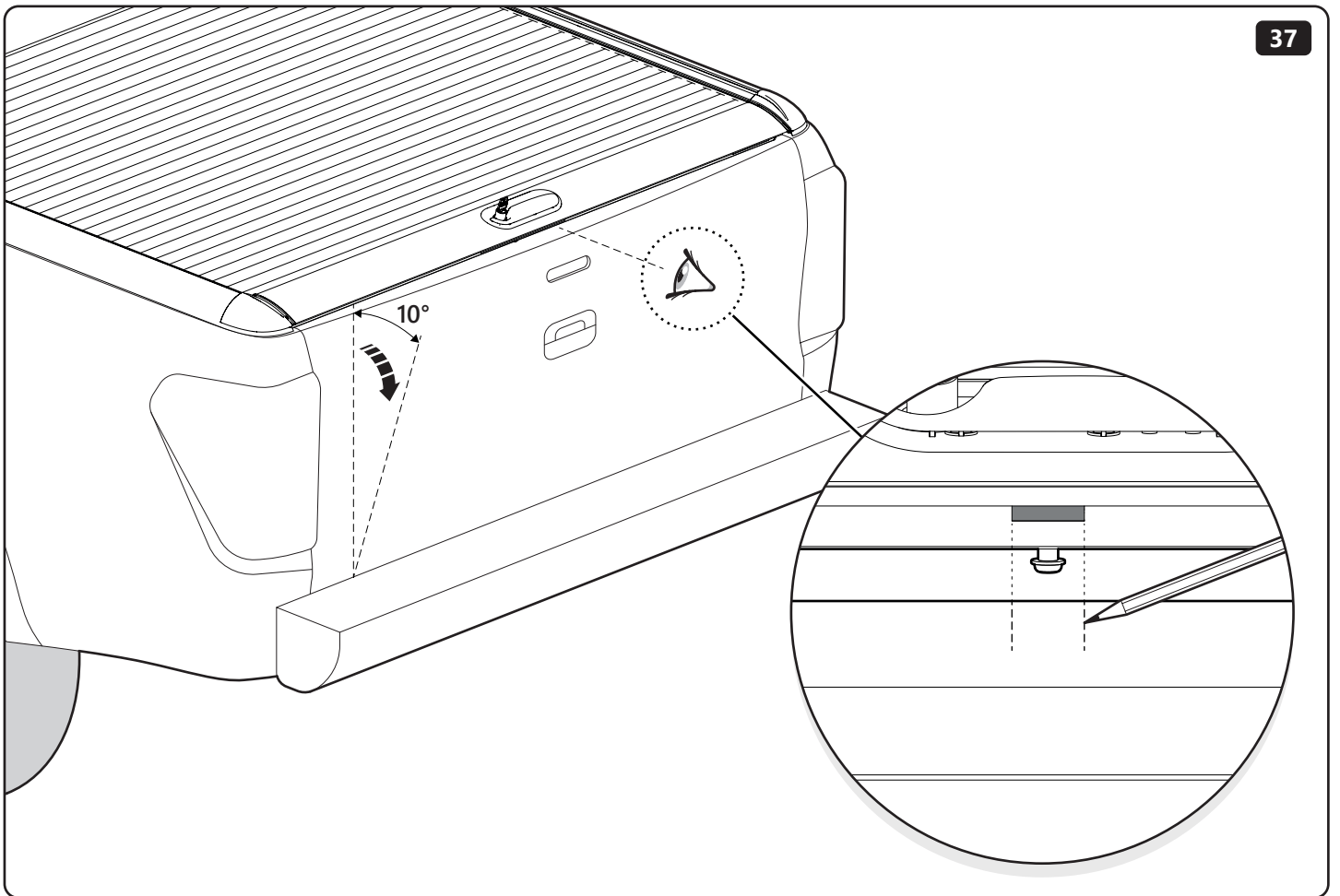
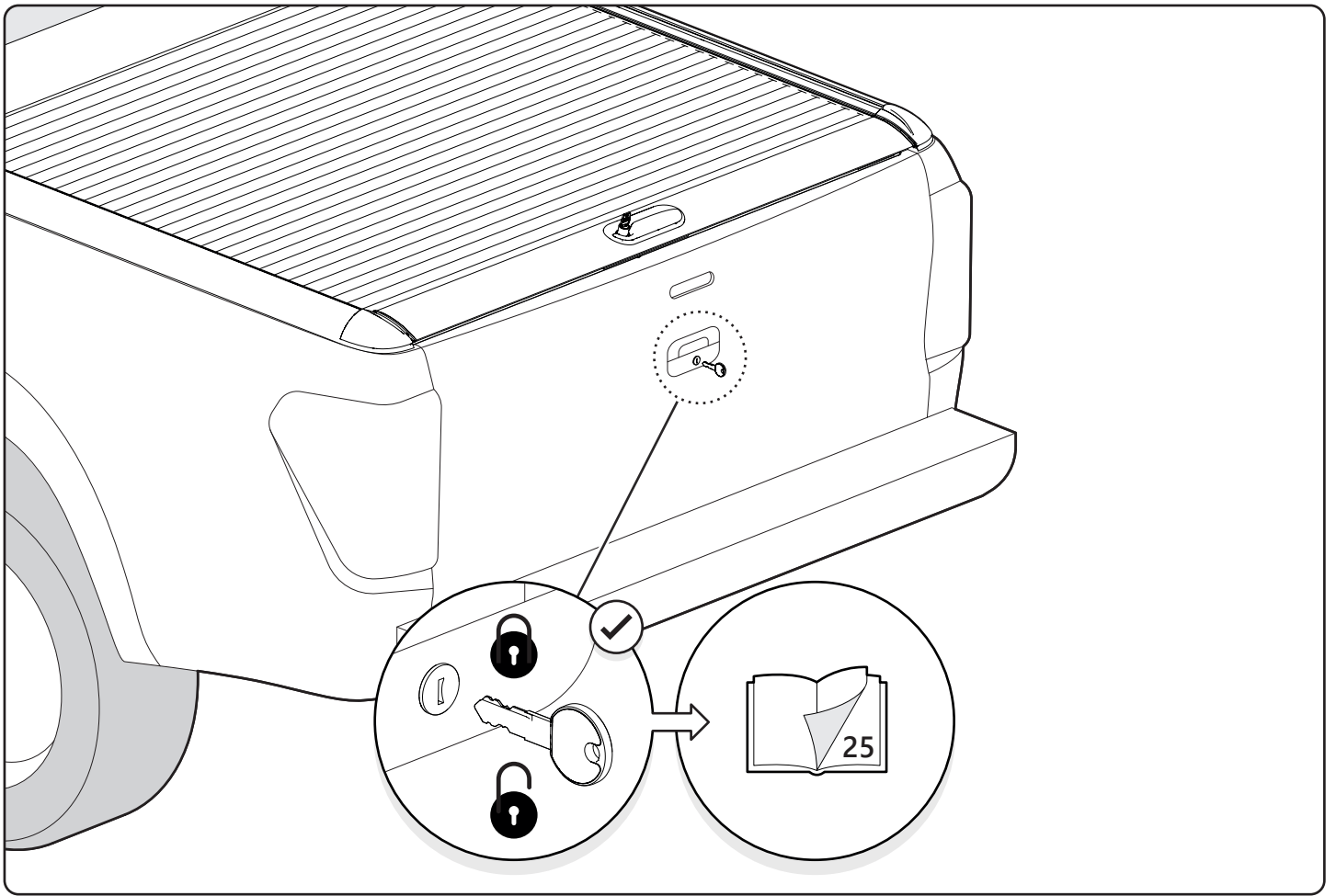


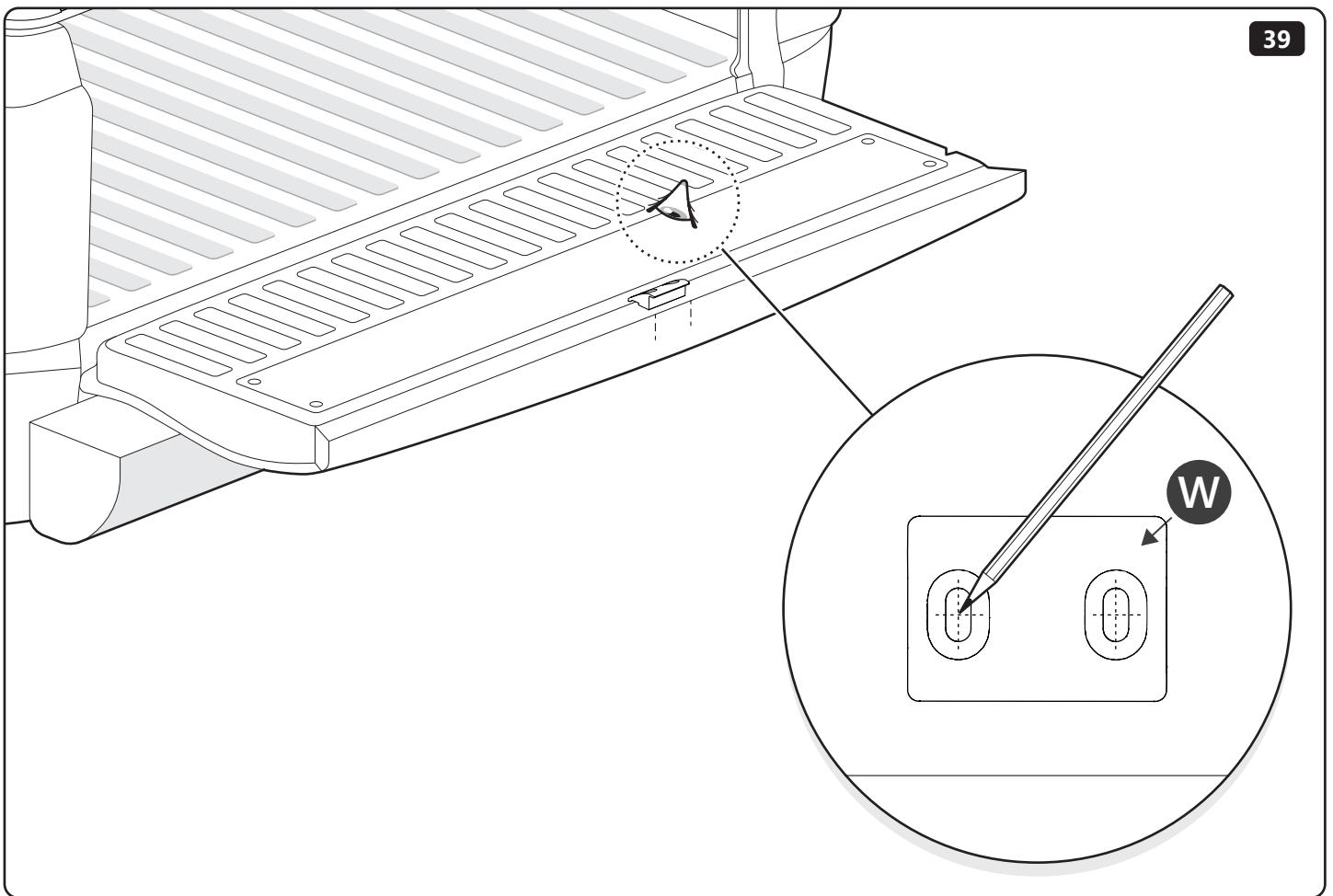
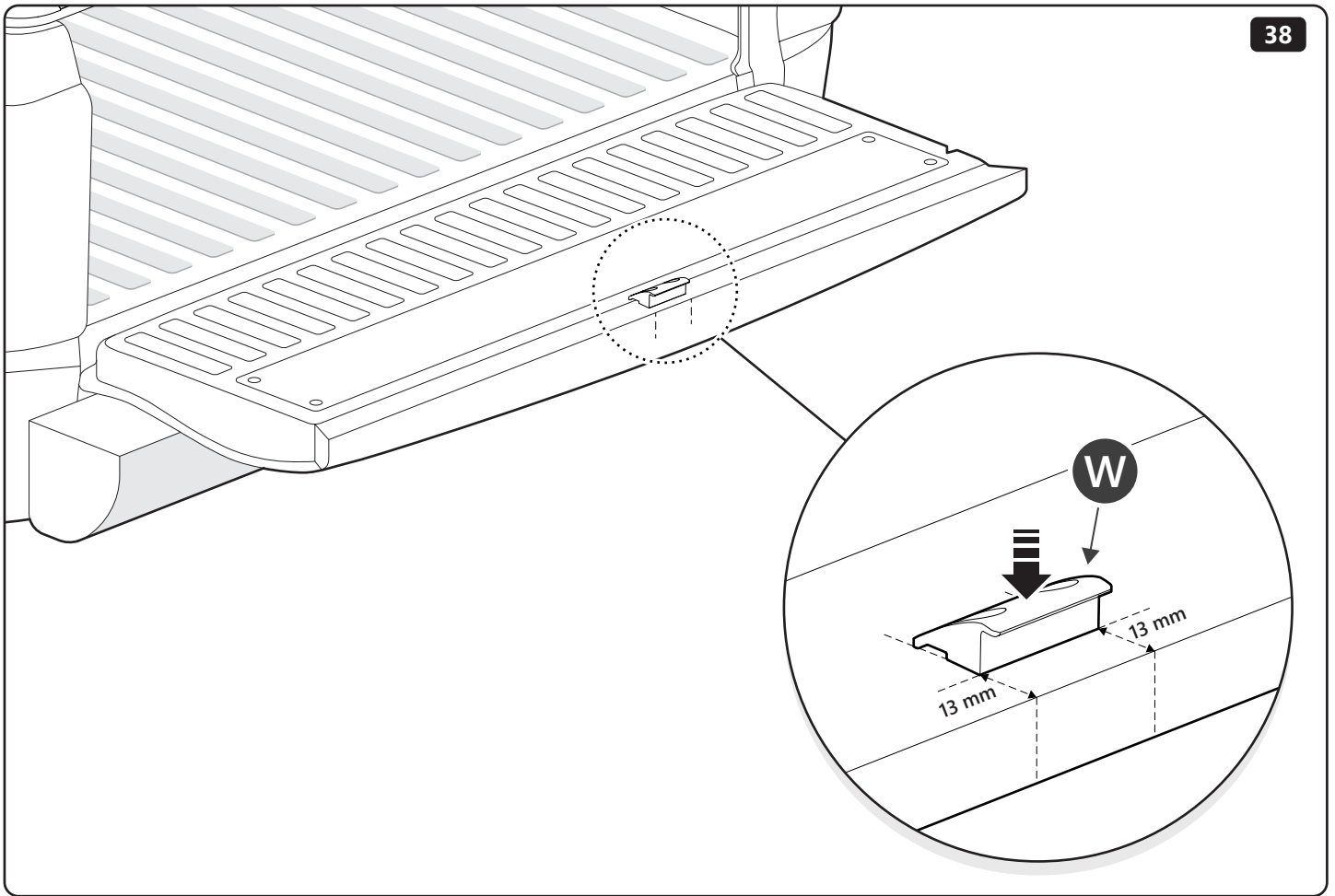


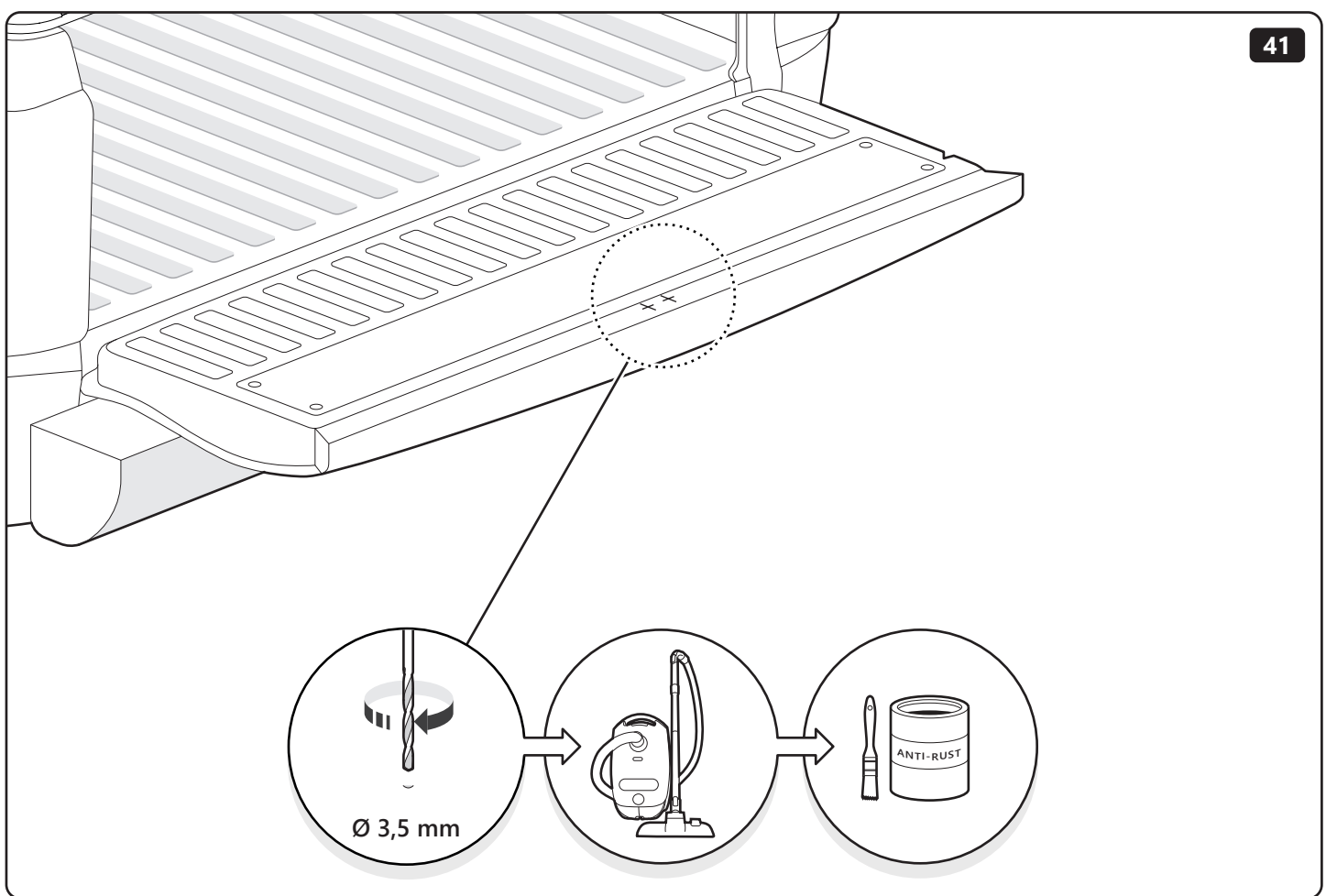
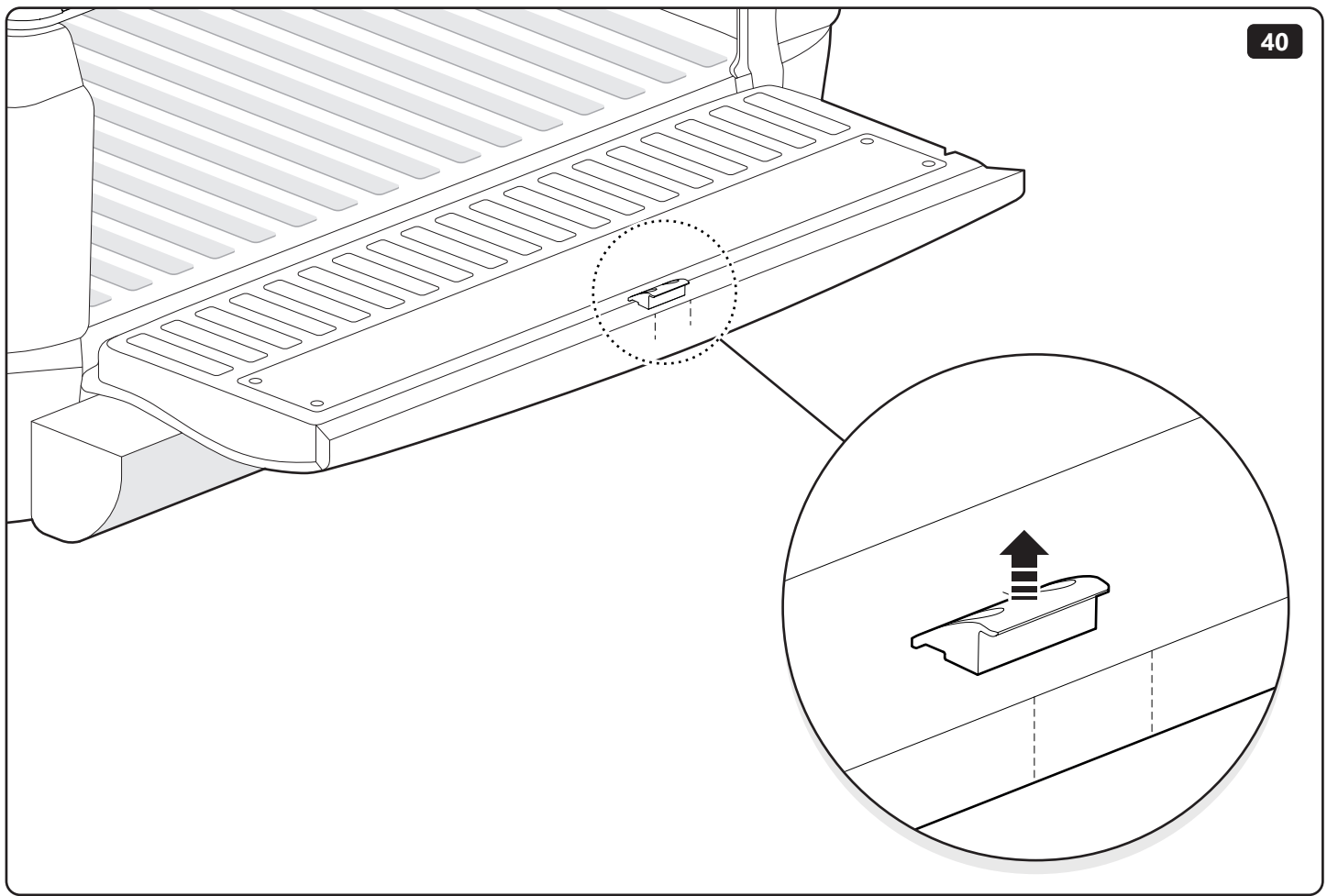


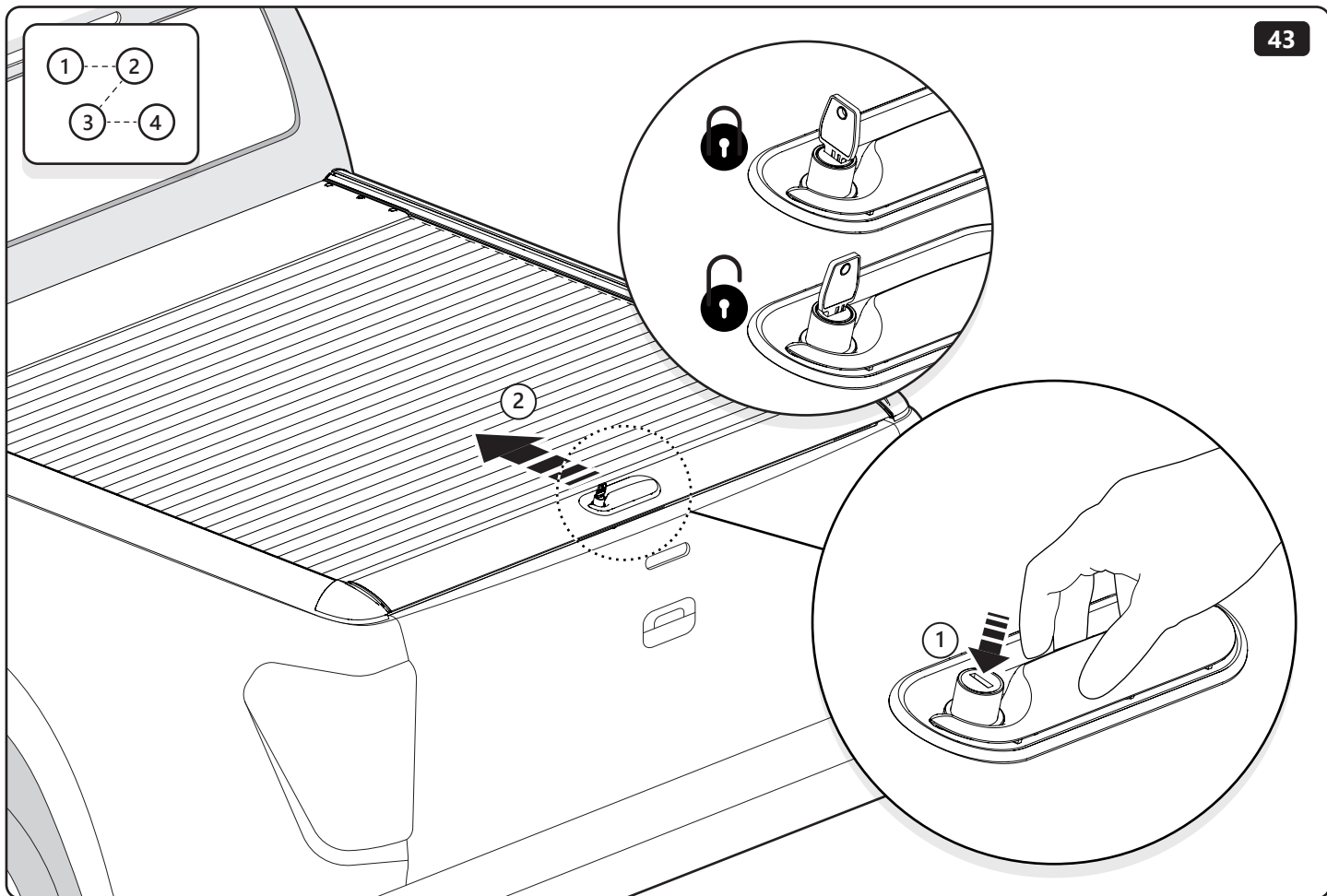
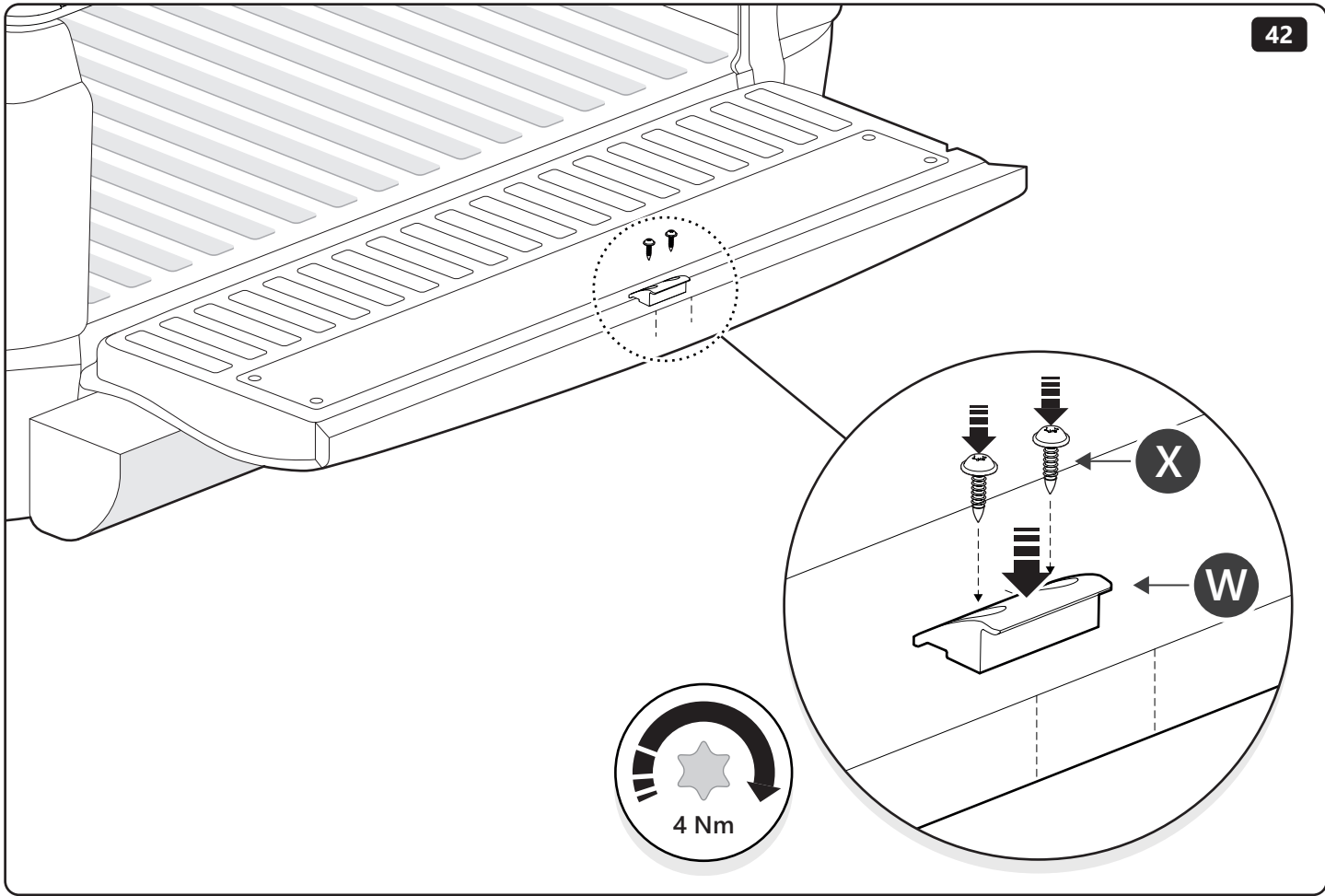


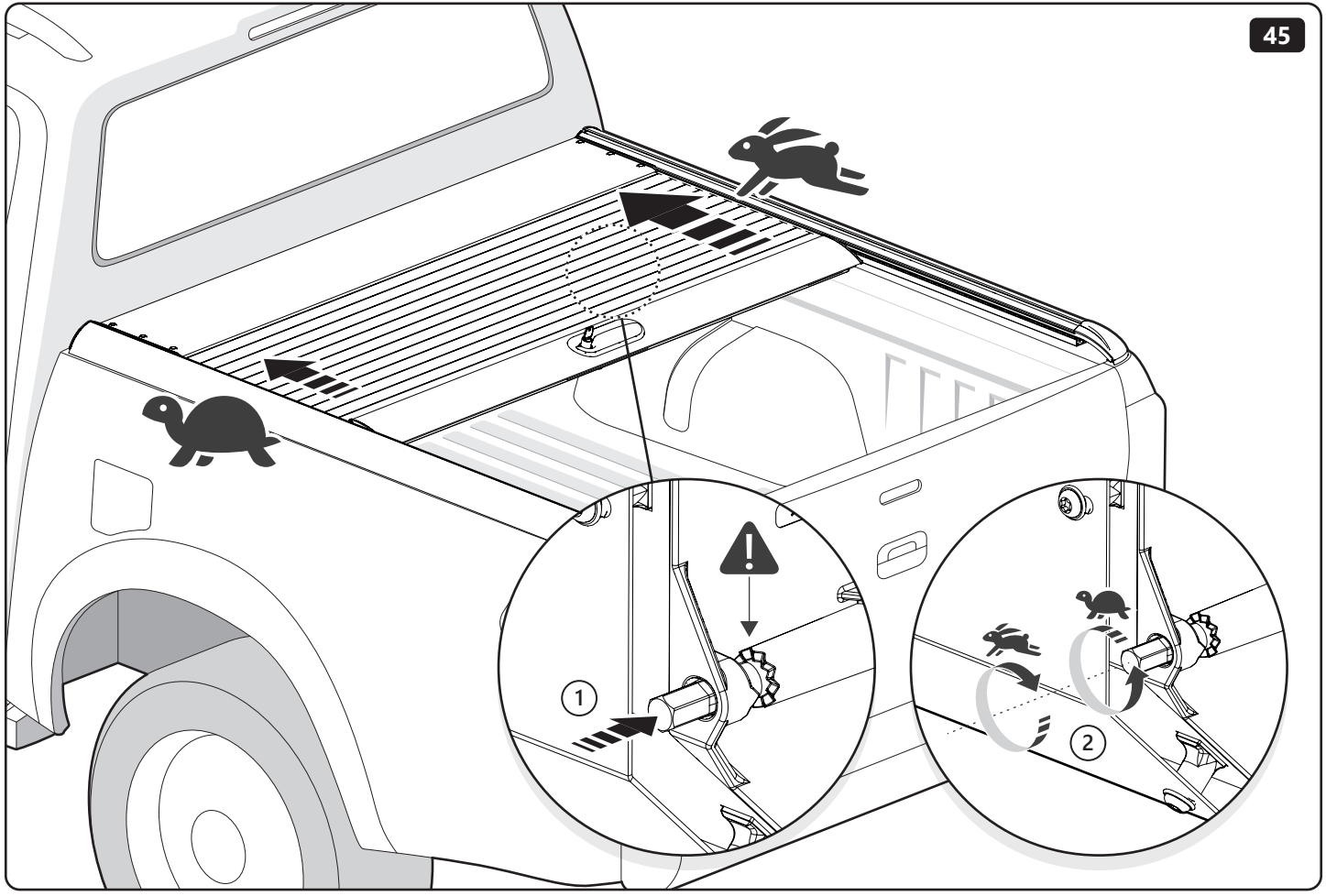
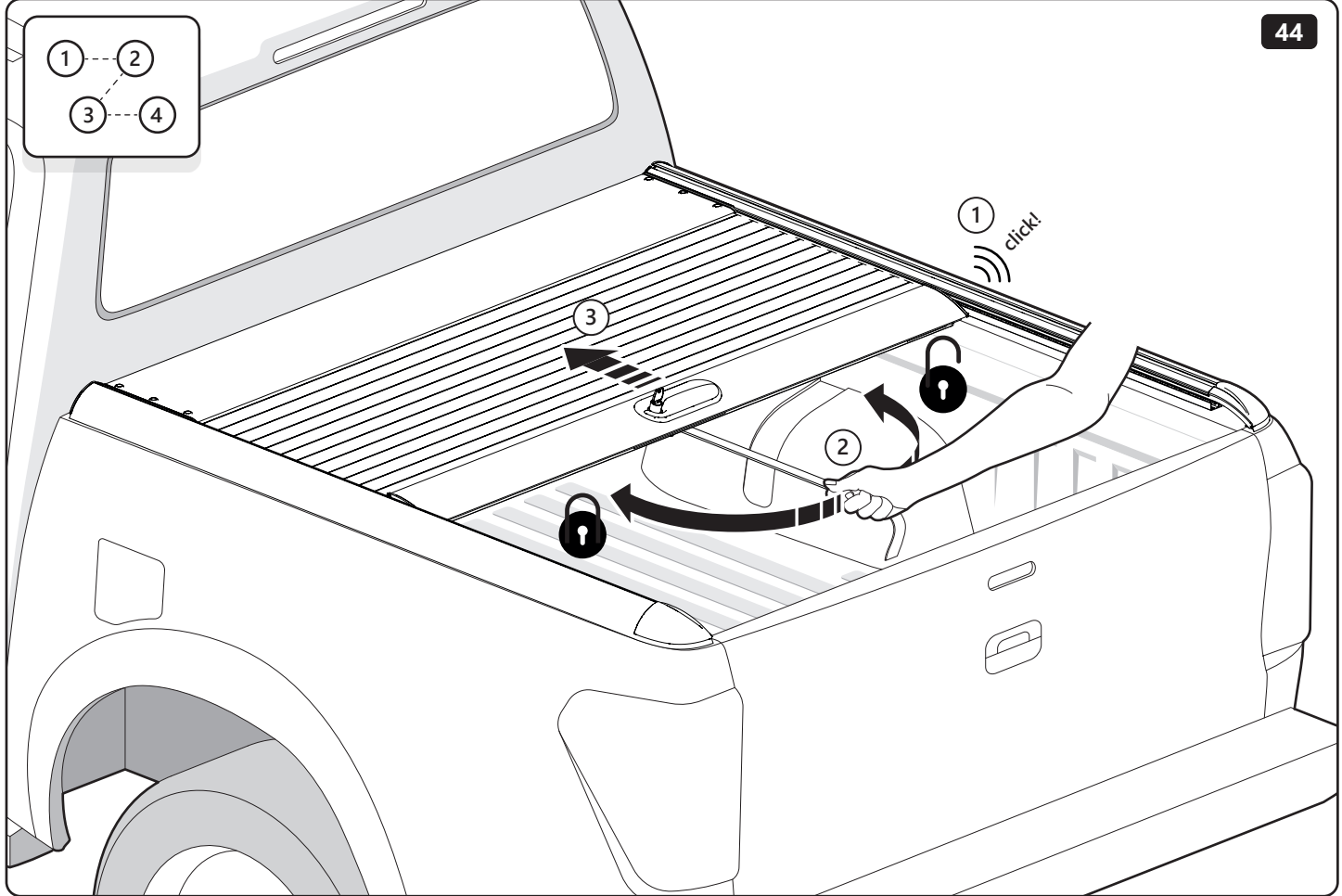


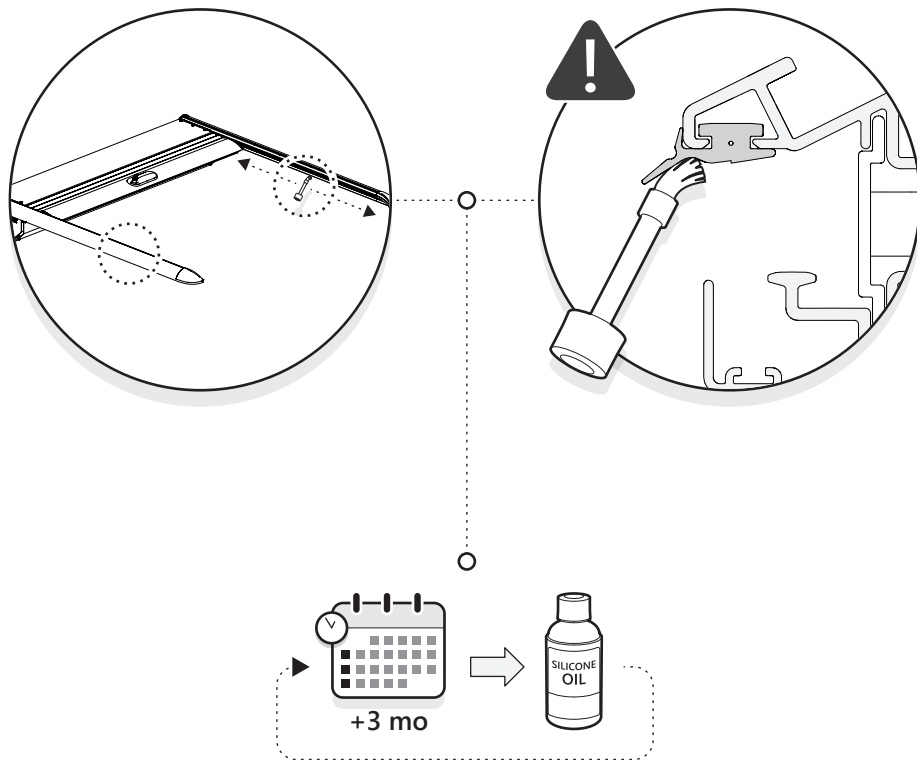
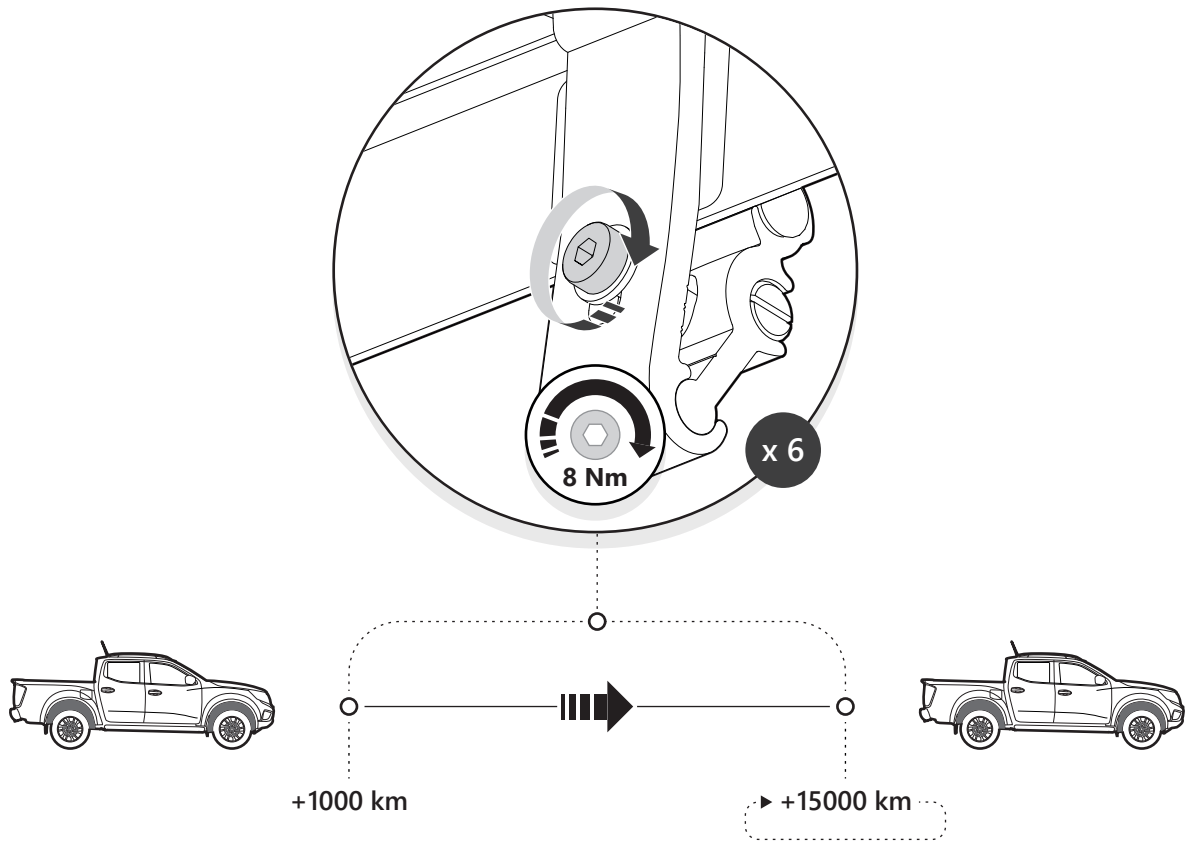














Customer Service +45 4810 2950 (08:00 - 16:00 CET)
Fax +45 4810 2960
Support info@mountaintop.dk
Website www.mountaintop.dk
Address Pedersholmparken 10, 3600 Frederikssund, Denmark

PART NUMBER(S)	MODEL / YEAR	CAB TYPE(S)	INSTALLATION TIME	WEIGHT
MTRA MX20 M53	Maxus / 2022 →	Double Cab	2 hour(s)	34 Kg

GB Installation manual	S Monteringsanvisning	D Einbauanleitung
SF Asennusohje	E Instrucciones de montaje	CZ Návod k instalaci
F Notice de montage	H Szerelési utasítás	I Istruzioni di montaggio
PL Instrukcja montażu	P Instruções de instalação	GR Οδηγίες Εγκατάστασης
NL Installatie-instructies	RUS Инструкция по установке	DK Monteringsvejledning
TR Montaj Talimatı	N Monteringsveiledning	RO Instructiuni de instalare